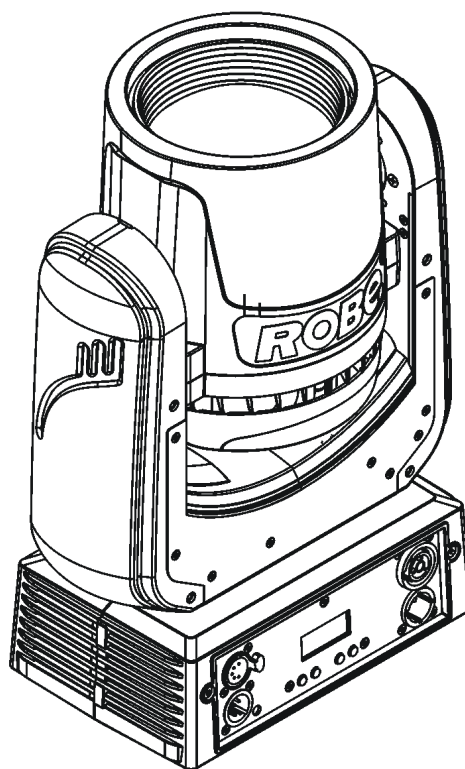


ROBE

ROBIN[®] Spikie



QR code for user manual



USER MANUAL

ROBE[®] lighting s.r.o. • Czech Republic • www.robe.cz

Version 1.9

Robin Spikie

Table of contents

| | |
|---|-----------|
| 1. Safety instructions | 3 |
| 2. Fixture exterior view | 5 |
| 3. Installation | 6 |
| 3.1 Connection to the mains | 6 |
| 3.2 Rigging the fixture | 7 |
| 3.3 DMX-512 connection..... | 9 |
| 3.4. Wireless DMX operation | 10 |
| 4. Remotely controllable functions | 11 |
| 5. Control menu map | 13 |
| 6. Control menu | 15 |
| 6.1 Addressing (DMXA)..... | 15 |
| 6.2 Fixture information (Info) | 15 |
| 6.3 Personality (Pers)..... | 16 |
| 6.4 Manual Control (Manual)..... | 17 |
| 6.5 Test program (Test Prg)..... | 17 |
| 6.6 Stand-alone (St Alone) | 17 |
| 6.7 Reset..... | 18 |
| 6.8 Special functions (Special)..... | 18 |
| 7. RDM | 21 |
| 8. Error and information messages | 22 |
| 9. Technical Specifications | 23 |
| 10. Maintenance and cleaning | 25 |
| 10.1 Replacing the fuse | 26 |
| 10.2 Cleaning of the air filtr | 27 |
| 10.3 Checking plastic parts of the fixture..... | 27 |
| 10.4 Disposing of the product | 27 |
| 11. Photometric diagrams | 28 |
| 12. ChangeLog | 32 |

**FOR YOUR OWN SAFETY, PLEASE READ THIS USER MANUAL CAREFULLY
BEFORE POWERING OR INSTALLING YOUR ROBIN Spikie !**

Save it for future reference.

This device has left our premises in absolutely perfect condition. In order to maintain this condition and to ensure a safe operation, it is absolutely necessary for the user to follow the safety instructions and warning notes written in this manual.

The manufacturer will not accept liability for any resulting damages caused by the non-observance of this manual or any unauthorized modification to the device.

Please consider that damages caused by manual modifications to the device are not subject to warranty.

The Robin Spikie was designed for indoor use and it is intended for professional application only. It is not for household use.

1. Safety instructions

DANGEROUS VOLTAGE CONSTITUTING A RISK OF ELECTRIC SHOCK IS PRESENT WITHIN THIS UNIT!

Make sure that the available voltage is not higher than stated on the rear panel of the fixture. This fixture should be operated only from the type of power source indicated on the marking label. If you are not sure of the type of power supplied, consult your authorized distributor or local power company.

WARNING! This unit does not contain an ON/OFF switch. Always disconnect power input cable to completely remove power from unit when not in use or before cleaning or servicing the unit.

Do not allow anything to rest on the power cord. Do not locate this fixture where the cord may be damaged by persons walking on it.

Make sure that the power cord is never crimped or damaged by sharp edges. Check the fixture and the power cord from time to time.

Refer servicing to qualified service personnel.

This fixture falls under protection class I. Therefore this fixture has to be connected to a mains socket outlet with a protective earthing connection.

Do not connect this fixture to a dimmer pack.

**Warning! Risk Group 2 LED product according to EN 62471.
LED light emission. Risk of eye injury. Do not look into the beam at short distance of the of the product. Do not view the light output with optical instruments or any device that may concentrate the beam.
The light source contains blue LEDs.**

If the fixture has been exposed to drastic temperature fluctuation (e.g. after transportation), do not switch it on immediately. The arising condensation water might damage your device. Leave the device switched off until it has reached room temperature.

Avoid brute force when installing or operating the fixture.

This fixture was designed for indoor use only, do not expose this unit to rain or use near water.

When choosing the installation spot, please make sure that the fixture is not exposed to extreme heat, moisture

or dust.

Air vents and slots in the fixture's head and base are provided for ventilation, to ensure reliable operation of the device and to protect it from overheating.

Do not block the front lens with any object when the fixture is under operation.

The openings should never be covered with cloth or other materials, and never must be blocked.

This fixture should not be placed in a built-in installation unless proper ventilation is provided.

Only operate the fixture after having checked that the housing is firmly closed and all screws are tightly fastened.

Always use a secondary safety cable when rigging this fixture.

Make sure that the area below the installation place is blocked when rigging, derigging or servicing the fixture.

The fixture becomes very hot during operation. Allow the fixture to cool approximately 20 minutes prior to manipulate with it.

Operate the fixture only after having familiarized with its functions. Do not permit operation by persons not qualified for operating the fixture. Most damages are the result of unprofessional operation!

Please use the original packaging if the fixture is to be transported.

Please consider that unauthorized modifications on the fixture are forbidden due to safety reasons!

If this device will be operated in any way different to the one described in this manual, the product may suffer damages and the guarantee becomes void. Furthermore, any other operation may lead to dangers like short-circuit, burns, electric shock, crash etc.

Immunity of the equipment is designed for electromagnetic environments E1, E2, E3 according to the standard EN55103-2 ed.2 Electromagnetic compatibility. Product family standard for audio, video, audiovisual and entertainment lighting control apparatus for professional use. Part 2: Immunity.

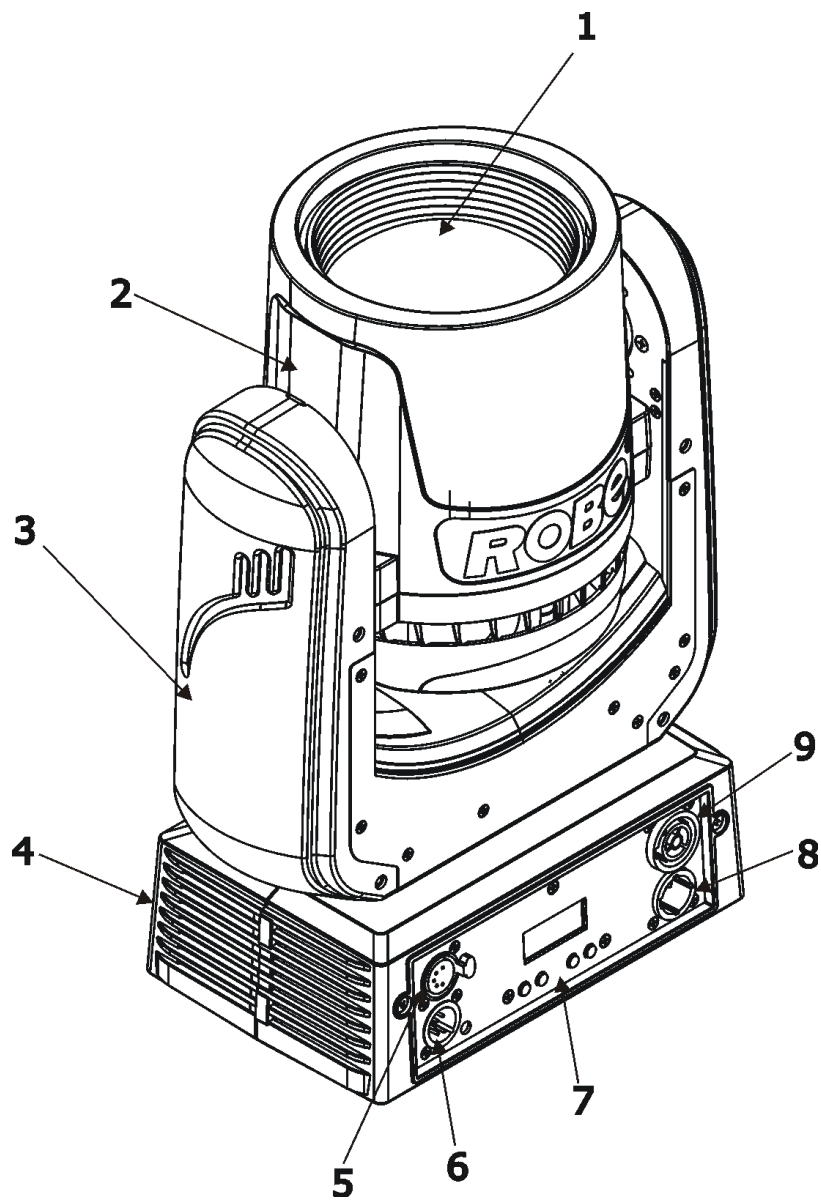
The installation company should check levels of possible interferences above the tested levels E1,E2,E3 given by this standard (e.g. transmitters in surrounding area) before installing the equipment.

Emission of the equipment complies with the standard EN55032 Electromagnetic compatibility of multimedia equipment – Emission Requirements according to class B.

To avoid damage of the internal optical system of the fixture, never let the sunlight or other fixture lights directly to the front lens , even when the fixture is not working !

**Be careful when the fixture performs fast pan and (or) tilt movement.
There is a danger of injury of your hands (especially fingers).**

2. Fixture exterior view



- 1 - Front lens
- 2 - Moving head
- 3 - Yoke
- 4 - Base
- 5 - DMX Out
- 6 - DMX In
- 7 - Control board
- 8 - Mains In
- 9 - Mains Out

3. Installation



Fixtures must be installed by a Qualified electrician in accordance with all national and local electrical and construction codes and regulations.

3.1 Connection to the mains

For protection from electric shock, the fixture must be earthed!

The Robin Spikie is equipped with auto-switching power supply that automatically adjusts to any 50-60Hz AC power source from 100-240 Volts.

If you install a cord cap on the power cable to allow connection to power outlets, install a grounding-type (earthed) plug, following the plug manufacturer's instructions.

If you have any doubts about proper installation, consult a qualified electrician.

| Core (EU) | Core (US) | Connection | Plug Terminal Marking |
|--------------|-----------|------------|-----------------------|
| Brown | Black | Live | L |
| Light blue | White | Neutral | N |
| Yellow/Green | Green | Earth | |

This device falls under class one and must be earthed (grounded)!

Design of the Robin Spikie allows to connect several fixtures to AC mains power in one interconnected daisy chain using power input and throughput connectors. Needed daisy chain cords are stated in the chapter "Technical specifications"

The max. number of connected fixtures depends on the AC mains power voltage and fixture version:

EU version (CE)

29 fixtures at power supply= 230V

26 fixtures at power supply= 208V

15 fixtures at power supply= 120V

US version (cETLus)

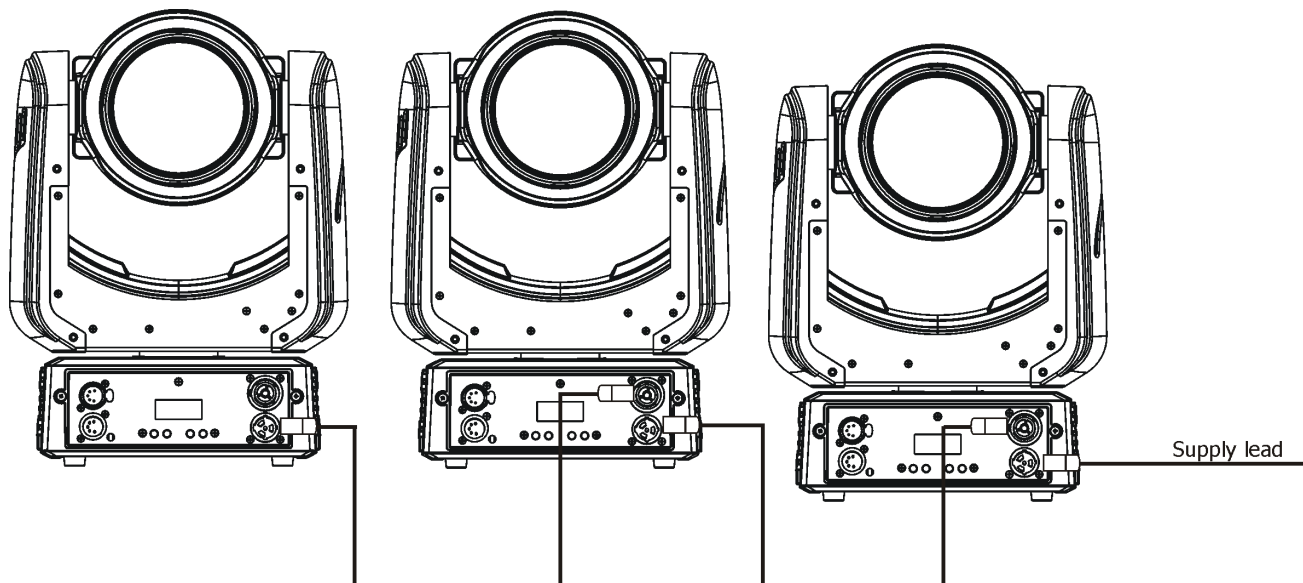
17 fixtures at power supply= 230V

15 fixtures at power supply= 208V

9 fixtures at power supply= 120V

Actual numbers of fixtures may differ from values stated above as you have to take into account the length of supply cables, circuit breaker etc. at projecting of the fixtures installation Do not overload the supply line and the connecting leads.

Wiring and connection work must be carried out by qualified staff!



3.2 Rigging the fixture

A structure intended for installation of the fixture (s) must safely hold weight of the fixture(s) placed on it. The structure has to be certificated to the purpose.

The fixture (fixtures) must be installed in accordance with national and local electrical and construction codes and **regulations**.

For overhead installation, the fixture must be always secured with a safety wire that can bear at least 10 times the weight of the fixture.

When rigging, derigging or servicing the fixture staying in the area below the installation place, on bridges, under high working places and other endangered areas is forbidden.

The operator has to make sure that safety-relating and machine-technical installations are approved by a skilled person once a year.

The fixture should be installed outside areas where persons may walk by or be seated.

IMPORTANT! OVERHEAD RIGGING REQUIRES EXTENSIVE EXPERIENCE, including (but not limited to) calculating working load limits, installation material being used, and periodic safety inspection of all installation materials and the fixture. If you lack these qualifications, do not attempt the installation yourself, but instead use a professional structural rigger. Improper installation can result in bodily injury or damage to property. The fixture has to be installed out of the reach of people.

The fixture must never be fixed swinging freely in the room.

Caution: Fixture may cause severe injuries when crashing down! If you have doubts concerning the safety of a possible installation, do not install the moving head!

Before rigging make sure that the installation area can hold a minimum point load of 10 times the fixture's weight.

When installing the device, make sure there is no highly inflammable material (decoration articles, etc.) in a distance of min. 0.4 m.

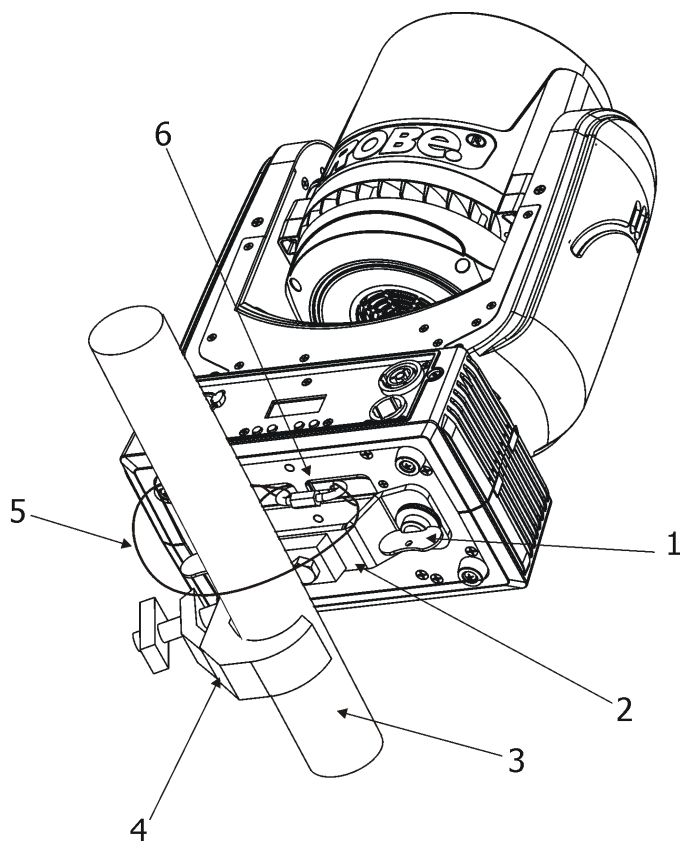
CAUTION!
Use an appropriate clamp to rig the fixture on the truss.
Make sure that the device is fixed properly! Ensure that the structure (truss) to which you are attaching the fixture is secure.

The fixture can be placed directly on the stage floor or rigged on a truss without altering its operation characteristics.

Due to very fast pan/tilt movement of the fixture, the fixture has to be always anchored to the ground (base) otherwise there is a danger of knocking the fixture over.

For securing the fixture to the truss install a safety wire that can hold at least 10 times the weight of the fixture.

Use only the safety wire with a snap hook with screw lock gate. Fasten the snap hook in the attachment point and the safety wire around the truss as shown on the picture below.



- 1-Quick-lock fastener
- 2-Omega holder
- 3-Truss
- 4-Clamp
- 5-Safety wire with a snap hook
with screw lock gate
- 6-Attachment point

When installing fixtures side-by-side, avoid illuminating one fixture with another!

3.3 DMX-512 connection

The fixture is equipped with 5-pin XLR sockets for DMX input and output. Only use a shielded twisted-pair cable designed for RS-485 and 5-pin XLR-plugs and connectors in order to connect the controller with the fixture or one fixture with another.

DMX output

XLR socket:



- 1 - Shield
- 2 - Signal (-)
- 3 - Signal (+)
- 4 - Used for wireless DMX
- 5 - Used for wireless DMX

DMX input

XLR plug:



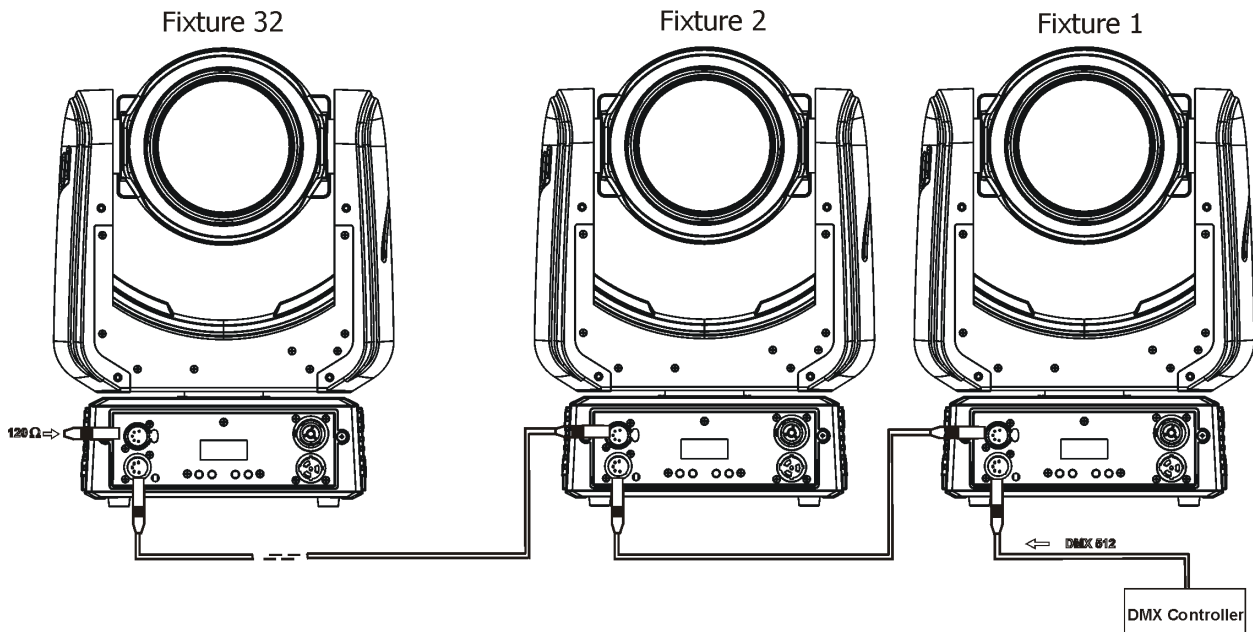
- 1 - Shield
- 2 - Signal (-)
- 3 - Signal (+)
- 4 - Used for wireless DMX
- 5 - Used for wireless DMX

If you are using the standard DMX controllers, you can connect the DMX output of the controller directly with the DMX input of the first fixture in the DMX-chain. If you wish to connect DMX-controllers with other XLR-outputs, you need to use adapter-cables.

Building a serial DMX-chain:

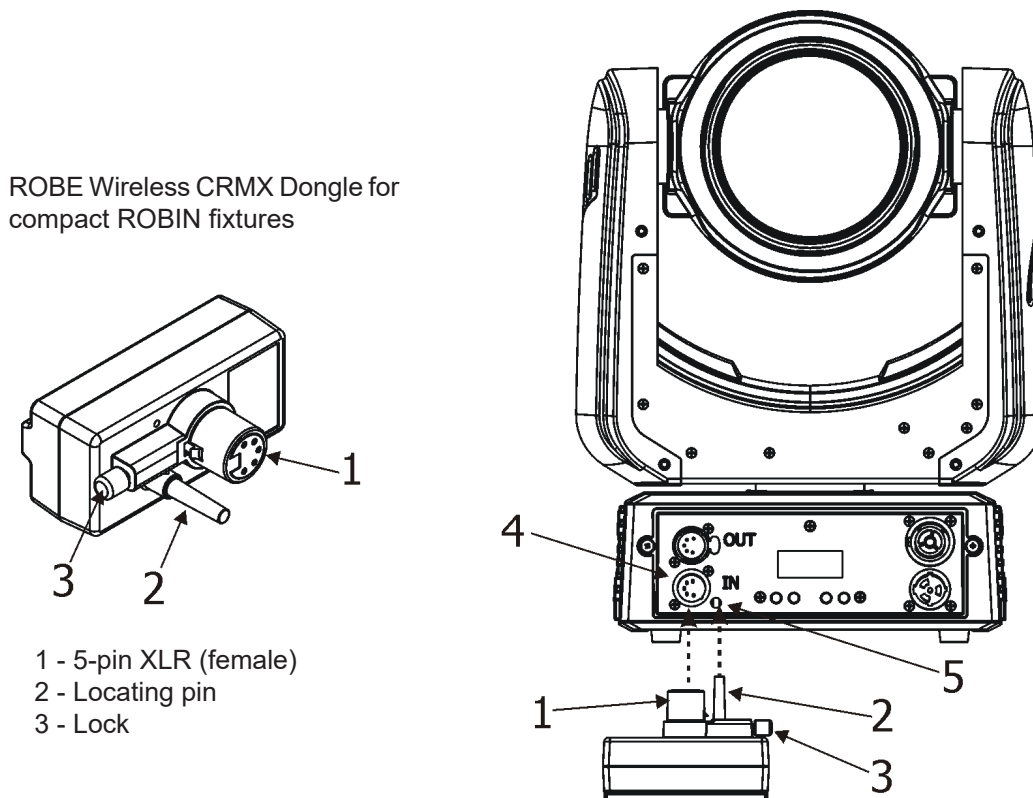
Connect the DMX-output of the first fixture in the DMX-chain with the DMX-input of the next fixture. Always connect one output with the input of the next fixture until all fixtures are connected. Up to 32 fixtures can be interconnected.

Caution: At the last fixture, the DMX-cable has to be terminated with a terminator. Solder a 120 Ω resistor between Signal (-) and Signal (+) into a 5-pin XLR-plug and plug it in the DMX-output of the last fixture.



3.4. Wireless DMX operation

The external ROBE Wireless CRMX Dongle for compact ROBIN fixtures allows receiving wireless DMX. This module is equipped with the Lumen Radio CRMX module and antenna for receiving DMX signal. CRMX module operates on the 2.4 GHz band.



Push in the 5-pin XLR plug (1) into 5-pin XLR socket (4) and simultaneously locating pin (2) into hole (5) in the fixture. In this way the wireless DMX module is connected with the fixture.

NOTE: when you disconnect the DMX wireless module from fixture, press and hold lock (5) during getting the wireless module out.

To link the fixture with DMX transmitter.

The fixture can be only linked with the transmitter by running the link procedure at DMX transmitter .

After linking , the level of DMX signal (0-100 %) is displayed in the menu item "Stat" (Special -->Wireless -->Stat).

To unlink the fixture from DMX transmitter.

The fixture can be unlinked from receiver via the menu item " Unlink" (Special-->Wireless -->Unlink).

4. Remotely controllable functions

Virtual Colour wheel

The virtual colour contains 68 preset colours, rainbow effect in both directions with variable speed.

CTC (colour temperature correction)

The CTC channel allows to change colour temperature of white in range of 2700K-8000K.

Colour Mix control

The Colour Mix control channel defines relation between colour channels (R,G,B,W) and virtual colour wheel:

| DMX value | Function |
|-----------|--|
| 0-9 | Virtual colour wheel has priority |
| 10-19 | Maximum mode (highest values have priority) |
| 20-29 | Minimum mode (lowest values have priority) |
| 30-39 | Multiply mode (multiply Virtual colour wheel and Colour channels) |
| 40-49 | Addition mode (Virtual colour wheel + Colour channels) - default |
| 50-59 | Subtraction mode (Virtual colour wheel – Colour channels) |
| 60-69 | Inverted Subtraction mode (Virtual colour wheel – Colour channels) |
| 70-128 | reserved |
| 129 | Virtual colour wheel has priority |
| 130-254 | Cross fade between Virtual colour wheel and colour channels |
| 255 | Colour channels have priority |

Prism

The 3-facet prism rotates in both directions at different speeds.

Flower Effect

The Flower effect rotates in both directions with variable speed. 10 Flower effect macros are created.

Zoom

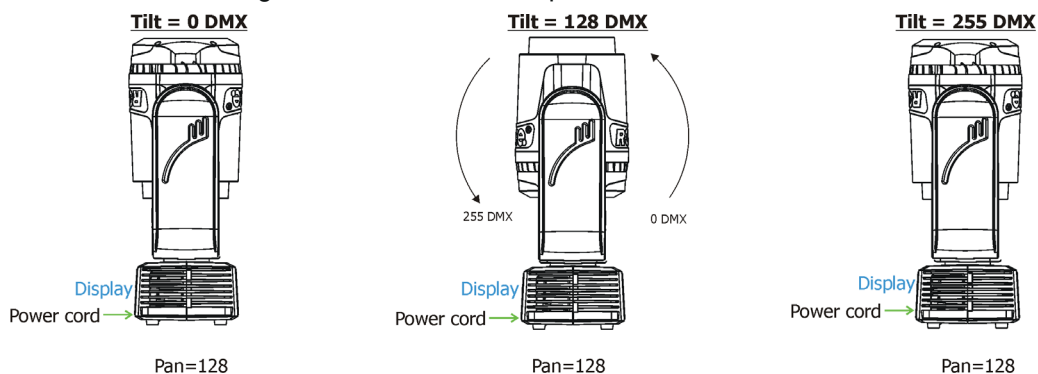
The motorized zoom module allows beam range of 4° - 27°.

Dimmer/Shutter unit

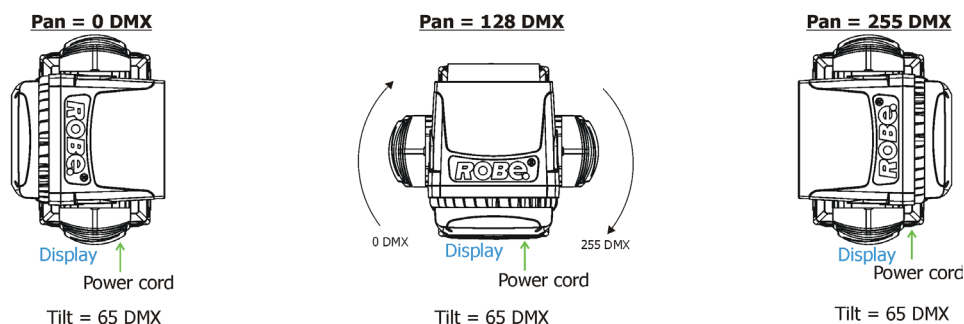
Smooth 0 - 100 % dimming is provided by the electronic control unit. This unit is also used for strobe effects with variable speed.

Pan/Tilt

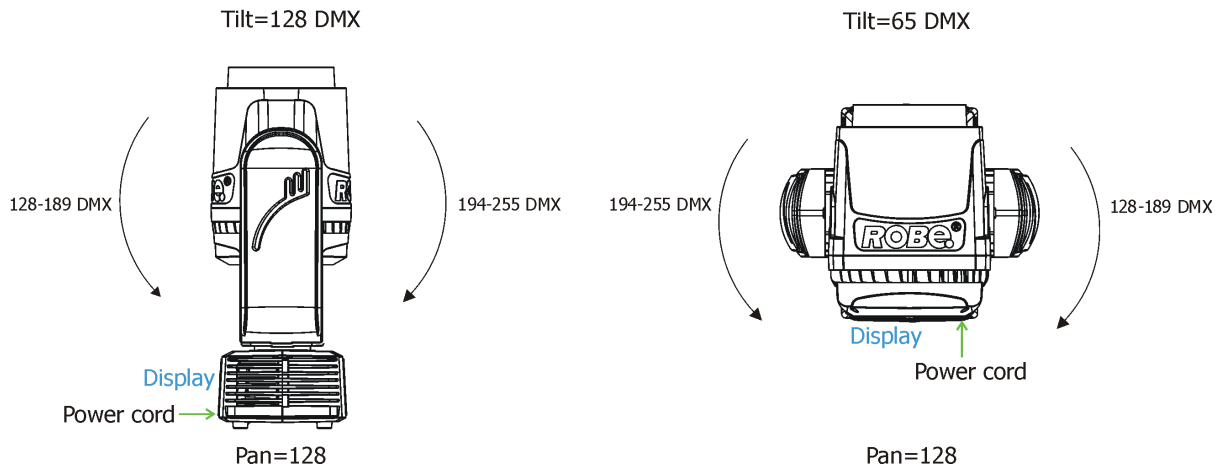
Pan/tilt movement range: 540°/360°, continual pan/tilt rotation.



Tilt movement range: 360° Pan movement range: 540°



Continual rotation



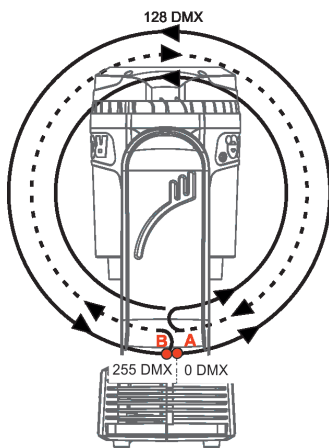
Pan control/Tilt control channels

Pan control (Tilt control) channel = 0 DMX (default value) - if the pan (tilt) receives a value 255 DMX from a DMX controller and next received DMX value for the pan (tilt) will be 0 DMX, the pan (tilt) will move to the point 0 DMX around entire track 255-0 DMX.

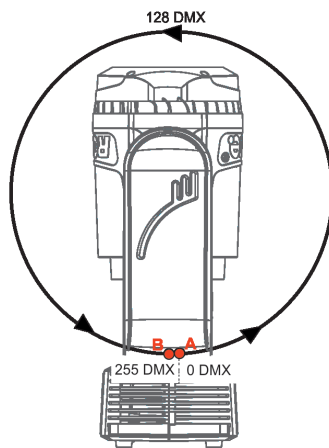
Pan control (Tilt control) channel = 1 DMX - if the pan (tilt) receives a value 255 DMX from a DMX controller and next received DMX value for the pan (tilt) will be 0 DMX, the pan (tilt) will move to the point 0 DMX directly without changing its direction of movement.

Examples for tilt movement:

Tilt control = 0 DMX (default)

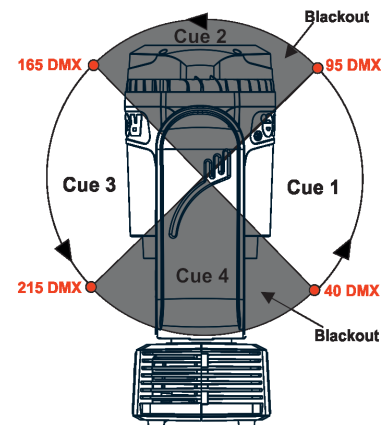


Tilt control = 1 DMX



Tilt control = 1 DMX

Example of blackout in certain positions of head



DMX controller sends tilt DMX values 0,1,2,...254,255,0,1... repeatedly.

The head moves from the point A (0 DMX) to the point B (255 DMX) and from the point B returns to the point A (0 DMX) and continues in movement to the point B.

DMX controller sends tilt DMX values 0,1,2,...254,255,0,1... repeatedly.

The head moves from the point A (0 DMX) to the point B (255 DMX) and continues in movement to the point A (0 DMX) in the same direction (without changing direction of its movement).

The four cues are repeated in the order: Cue 1, Cue 2, Cue 3, Cue 4, Cue 1.....

Tilt DMX values are changing in the cues as follows:

Cue 1: 40, 41...94,95.
Cue 2: 96, 97....164,165.
Cue 3: 166,167....214,215.
Cue 4: 216,217....38,39

The dimmer is closed in Cues 2 and 4.

5. Control menu map

Default settings=**Bold print**

| Level 1 | Level 2 | Level 3 | Level 4 | Level 5 | Level 6 | Level 7 |
|-------------|-----------|-----------------------|----------------|---------|---------|---------|
| DMXA | Set DMXA | 001-512 | | | | |
| | DMX Pres | Mode 1 | | | | |
| | | Mode 2 | | | | |
| | | | | | | |
| Info | POn Time | Total | | | | |
| | | Reset | | | | |
| | Air fil | Aler P | | | | |
| | | R Ti | | | | |
| | DMX In | Pan | 0-255 | | | |
| | | : | | | | |
| | | Dim F | 0-255 | | | |
| | Hea Temp | Current | | | | |
| | | Highest | | | | |
| | | High Res | | | | |
| | Bas. Temp | Current | | | | |
| | | Highest | | | | |
| | | High Res | | | | |
| | Sw Ver | IC-1 | | | | |
| | | IC-2 | | | | |
| | | IC-3 | | | | |
| | | IC-4 | | | | |
| | | | | | | |
| Pers | | | | | | |
| | DMX Pres | Mode 1 | | | | |
| | | Mode 2 | | | | |
| | Pan Rev | On, Off | | | | |
| | Tilt Rev | On, Off | | | | |
| | P/T Mode | Speed | | | | |
| | | Time | | | | |
| | P/T Feed | On, Off | | | | |
| | Display | Turn | | | | |
| | | On/Off T | On, Off | | | |
| | | Contrast | 0-100% | | | |
| | | Backlight | 0-100% | | | |
| | BLC DMC | On, Off | | | | |
| | BLC P/T | On, Off | | | | |
| | Comp | On, Off | | | | |
| | C Mix M | RGBW, CMY | | | | |
| | White P | On, Off | | | | |
| | Dimmer C | Square, Linear | | | | |
| | LED Freq | Stand | | | | |
| | | High | | | | |
| | LED Fadj | -06,-05..00..05, 06 | | | | |
| | Mic Sens | 0... 10 ...19 | | | | |
| | Fans | Auto, High | | | | |
| | Temp Uni | °C, °F | | | | |
| | I Ef Pos | Pan | | | | |
| | | : | | | | |
| | | Dim F | | | | |
| | | Store | | | | |
| | Defaults | | | | | |
| | | | | | | |

| Level 1 | Level 2 | Level 3 | Level 4 | Level 5 | Level 6 | Level 7 |
|------------------|-----------|----------------|----------|---------|---------|---------|
| Manual | | Pan | 0-255 | | | |
| | | : | | | | |
| | | Dim F | 0-255 | | | |
| Test Prg | Static | Pan | 0-255 | | | |
| | | Tilt | 0-255 | | | |
| | | Run | | | | |
| | Dynamic | | | | | |
| | | | | | | |
| Sta Alone | Music T | On, Off | | | | |
| | Auto Run | Off | | | | |
| | | Test | | | | |
| | | Prog 1 | | | | |
| | | Prog 2 | | | | |
| | | Prog 3 | | | | |
| | Pr Play | Test Prg | | | | |
| | | Prog 1 | | | | |
| | | Prog 2 | | | | |
| | | Prog 3 | | | | |
| | Pr Edit | Prog 1 | Step 1 | Pan | | |
| | | Prog 2 | : | : | | |
| | | Prog 3 | Step 40 | F.Tim | 0-25.5 | |
| | | | | S.Tim | 0-25.5 | |
| | | | | COPY | | |
| | | | | Prg En | 1-40 | |
| | | | | | | |
| Reset | | | | | | |
| | | | | | | |
| Special | RDM Low | | | | | |
| | RDM Hight | | | | | |
| | Wireless | Stat | | | | |
| | | Unlink | | | | |
| | Adjust | DMX Val | Pan | 0-255 | | |
| | | | : | | | |
| | | | Dim F | 0-255 | | |
| | | Calib | Cal Mech | Pan C | 0-255 | |
| | | | | Tilt C | 0-255 | |
| | | | | Pr1 C | 0-255 | |
| | | | | Pr2 C | 0-255 | |
| | | | | Fl1 C | 0-255 | |
| | | | | Fl2 C | 0-255 | |
| | | | | Zoom | 0-255 | |
| | | | | Store | | |
| | | | Cal Col | Red C | 0-255 | |
| | | | | Gren C | 0-255 | |
| | | | | Blue C | 0-255 | |
| | | | | Whit C | 0-255 | |
| | | | | Red I | 0-255 | |
| | | | | Gre I | 0-255 | |
| | | | | Blu I | 0-255 | |
| | | | | Whi I | 0-255 | |
| | | | | Store | | |
| | | | Cal Load | | | |
| | Sw Upd | On, Off | | | | |

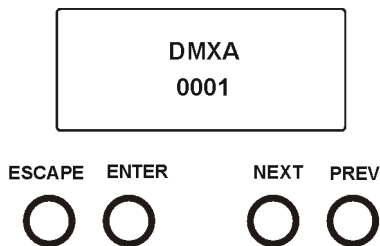
6. Control menu

The Robin Spikie is equipped with 2-row LCD display which allows to set the fixture's behaviour according to your needs, obtain information on its operation, test its various parts and lastly program it, if it has to be used in a stand-alone mode.

Control panel:

[ESCAPE] button used to leave the menu without saving changes.

[NEXT] , [PREV] buttons for moving between menu items and for value adjusting.



[ENTER] button used to enter the selected menu (menu item) and to confirm adjusted value.

After switching the fixture on, display shows current DMX address.

6.1 Addressing (DMXA)

Set DMXA- Use this menu item to set the DMX start address of the fixture, which is defined as the first channel from which the Robin Spikie will respond to the controller.

If you set, for example, the address 36, the Robin Spikie will use channels 36 - 70 for control (if Mode 1 is selected).

Please, be sure that you do not have any overlapping channels in order to control each Robin Spikie correctly and independently from any other fixture on the DMX data link.

If there is no data received at the DMX input, the display will start to flash "0001" with actually stored DMX address.

DMX Pres - DMX preset. Use the menu to select desired channel mode.

Mode 1 - 27 control channels

Mode 2 - 21 control channels

6.2 Fixture information (Info)

Pon Time - Power on time. Select this menu to read the number of fixture operation hours.

Total - The item shows the total number of the operation hours since the Robin Spikie has been fabricated.

Reset - The item shows the number of the operation hours that the Robin Spikie has been powered on since the counter was last reset.

In order to reset this counter to 0, press and hold both [NEXT] and [PREV] buttons and the [Enter] button at the same time.

Air fil - Air filter. Regular cleaning of the air filter in the fixture base is very important for the fixture's life and performance. Build-up of dust, dirt and fog fluid residues reduces the fixture's fan ability.

he two items of this menu help you to keep cleaning period of the air filter.

Alert P - Cleaning schedule for the fixture depends on the operating environment.

It is therefore impossible to specify accurate cleaning interval. This item allows you to change the cleaning interval of the air filter. This "alert" value is 300 hours and it is set as default. Inspect the fixture within its 300 hours of operation to see whether cleaning is necessary. If cleaning is required, clean air filter and change the value in this menu on acceptable level. Min. level of alert period is 10 hours, max. is 300 hours.

R Ti - The item allows you to read the time which remains to cleaning air filter.

The time period is set in the menu mentioned above.

To reset this menu item press and hold both [NEXT] and [PREV] buttons and the [Enter] button at the same time.

DMX In - DMX readout. The menu is used to read DMX values of each channel received by the fixture.

Hea Temp - Head temperature. The menu shows temperature in the fixture's head.

Current - A current temperature of the head.

Highest - A maximum temperature of the the head since the fixture has been fabricated.

High Res - A maximum temperature of the the head since the counter was last reset.

In order to reset this counter, press and hold both [NEXT] and [PREV] buttons and the [Enter] button at the same time.

Sw Ver - Software versions. Select this item to read the software version of the fixture modules.

IC-1 - A pan/Tilt processor.

IC-2 - A display processor.

IC-3 - LED control processor.

IC-4 - LED control processor.

6.3 Personality (Pers)

DMX Pres - DMX preset. Use the menu to select desired channel mode.

Mode 1 - 27 control channels

Mode 2 - 21 control channels

Pan Rev - Pan reverse. The item allows to invert pan movement.

Tilt Rev - Tilt reverse. The item allows to invert tilt movement.

P/T Mode - Pan and Tilt movement mode. Use this menu to set mode of the pan/tilt movement.

Speed - Both Pan and tilt will move with the same speed as adjusted at the channel "Pan/Tilt speed, Pan/Tilt time".

Time - The pan and tilt will move with different speeds and they will come at the same time to the end point of their tracks (pan and tilt use their optimal speeds). Time of the pan/tilt movement (25.5 sec. max.) is set by the channel "Pan/Tilt speed, Pan/Tilt time".

P/T Feed - Pan and Tilt Feedback. The menu item allows to return the moving head to the required pan/tilt position after changing the position by an external force if this option is set on.

Note. The Pan/Tilt Feedback should be permanent On, the option Off is not suitable for standard operation and the head of the fixture can be damaged!

Display - Display adjusting. This menu allows you to adjust the display behaviour.

Turn - This function rotates menu 180 degrees from current orientation..

On/Off T - This function allows you to keep the display permanent on (On/Off T= Off) or turn it off two minutes after last pressing any button on the control panel (On/Off T= On).

Contrast- Use this function to adjust contrast of the display (0-100%).

Backlight- Use this function to adjust backlight of the display (0-100%).

BLC DMC - Blackout during movement correction. Set this option on if you wish to close light output during the time when the head goes to its correct position, which has been changed by an external force.

BLC P/T - Blackout at P/T movement. The menu item allows to close light output while pan/tilt coordinates are changing.

Comp - Intensity compatibility. The menu item is intended for the Spikie+ only, for Spikie has to be set off.

C Mix M - Colour mixing mode. This item allows switching into RGBW or CMY mode. In the CMY mode, the white(8bit)/white (16) bit channels are not active.

White P - White Point 8000K. If the function is on, the CTC channel allows to set desired white in range of 8000K-2700K

(0 DMX=8000K, 255 DMX=2700K). Necessary condition is , that RGBW channels have to be full or set at the same DMX values, e.g. 150.

If this function is off, the range of whites is not uniform and may be different for each fixture.

Mic Sens - Microfon sensitivity. Enter the menu if you want to adjust the microphone sensitivity (0-max., 19-min.).

Dimmer C - Dimmer curve. Use the menu to select desired dimmer curve.

Linear - a linear curve.

Square - a square law curve.

LED Freq - LEDs frequency setup. The function allows you to set the PWM (Pulse Width Modulation) output frequency of LEDs to Standard or High.

Stand - a standard frequency (300Hz), default setting.

High - a high frequency (600Hz)

LED Fadj - LEDs frequency fine adjustment. The function allows you to change the selected PWM output frequency of LEDs in 6 levels up and down around the selected frequency in the menu "LED Freq".

-06...-01 - Frequence levels 1-6 under selected frequency.

00 - Selected frequency (Standard or High)

01...06 - Frequence levels 1-6 above selected frequency.

Fans - Fan mode. Use the menu to set the fixture fans to max. fan power mode ("**High**") or to auto-control mode ("**Auto**").

Temp Uni - Temperature unit. Use the menu item to change temperature unit from °C to °F.

I Ef Pos - Init effect positions. Use the menu to set all effects to the desired positions at which they will stay after switching the fixture on without DMX signal connected.

Defaults - The menu item allows to set all fixture parameters to the default (factory) values.

6.4 Manual Control (Manual)

Use the menu to control all fixture channels by means of the control panel.

6.5 Test program (Test Prg)

Use this menu to to run demo test sequences without an external controller, which will show you some possibilities of using Robin Spikie.

Static - Static mode. This mode is suitable for projections on the wall, ceiling or ground without any head movement.

Dynamic - Dynamic mode. This mode uses all Robin Spikie functions including pan/tilt movement and therefore is good for a complete introduction of the fixture.

6.6 Stand-alone (St Alone)

Music T - Music trigger. Select this function to enable the sound control of the running program via the built-in microphone.

Auto Run - Presetting playback. This function allows you to select the program which will be played in the stand-alone mode after switching the fixture on. Selected program will be played continuously in a loop.

Off - The option disables „Auto Run” function.

Test - The option will start built-in test program.

Prog 1 - The option will start user-created program 1

Prog 2 - The option will start user-created program 2

Prog 3 - The option will start user-created program 3

Pr Play - Playing program. Select this menu to run a user-created program in a loop.

Test Prg - The option runs built-in test program.

Prog 1 - The option runs user-created program 1

Prog 2 - The option runs user-created program 2

Prog 3 - The option runs user-created program 3

Select the program you wish and press [ENTER]. The selected program starts running. By Pressing [ENTER] again, program pauses running.

Pr Edit - Editing program. Select this menu to edit or create the program. The Robin Spikie has one built-in program and one user-editable program up to 40 steps. Each program step has a step time - during which effects last in the current step and a fade time- during which effects move to new positions.

To edit program:

1. Press [NEXT] or [PREV] to select the menu "Edit" and press [ENTER].
2. Press [NEXT] or [PREV] to select the desired program step and press [ENTER] button.
3. Press [NEXT] or [PREV] to select the desired item and press [ENTER] button. Now you can edit by [NEXT] or [PREV] buttons the DMX value (0-255) for selected item:

| | |
|----------|---|
| Prg End. | a total number of the program steps (value 1-40). This value you should be set before starting of programming (e.g. if you want to create program with the 10 steps, set Prg End=10). |
| PAn | a coarse pan movement |
| PAn F | a fine pan movement |
| Tilt | a coarse tilt movement |
| Tilt F | a fine tilt movement |
| Pan C | a pan continual movement |
| Tilt C | a tilt continual movement |
| P/T Sp | a pan/tilt speed |
| Powr | power/special functions |
| Virt C | a virtual colour wheel |
| Red | a red colour coarse |
| Red F | a red colour fine |
| Green | a green colour coarse |
| Green F | a green colour fine |
| Blue | a blue colour coarse |
| Blue F | a blue colour fine |
| White | a white colour |
| White F | a white colour fine |
| CTC | a colour temperature correction |
| C Mix C | a colour mix control |
| Prism | a rotating prism |
| Flow E | a flower effect |
| Flow ER | a flower effect rotation |
| Zoom | a zoom function |
| Zoom F | a zoom function fine |
| Stro | a strobe/shutter function |
| Dimm | a dimmer function coarse |
| Dim F | a dimmer function fine |
| F.Tim | a fade time (0-25.5 sec) |
| S.Tim | a step time (0-25.5 sec) |
| COPY | copying the current prog. step to the next prog. step |

4. Press [ENTER] button to confirm adjusted value .

5. Press [ESCAPE] button, select next prog. step, press [ENTER] button and repeat steps 3 - 5).

6.7 Reset

This option enables the Robin Spikie to index all effects and return to their standard positions.

6.8 Special functions (Special)

RDM Low - This menu item shows the first part of the RDM identification code.

RDM High - This menu item shows the second part of the RDM identification code.

Wireless - Stat - Use the menu to read wireless DMX status.

Unlink - use this item to unlink fixture from wireless DMX.

Adjust - Adjustment. The menu allows the fine adjustment of effects.

DMX Val- DMX values. Use the menu to set DMX values of fixture's channels.

Calib - calibration fixture effects.

Cal Mech - Use this menu to calibrate mechanical effects:

- Pan C - position of the pan
- Tilt C - position of tilt
- Pr1 C - position of prism
- Pr2 C - prism rotation
- F11 C - flower effect frost movement
- F12 C - flower effect rotation fine
- Zoom - Zoom position fine

Cal Col - The menu serves for calibration of colours in the factory.

Items **Red C**, **Gre C**, **Blu C** and **Whi C** serve for setting of white colour 5600K.

Items **Red I**, **Gre I**, **Blu I** and **Whi I** serve for setting of colour intensities.

Calibration of the pan/tilt via the control board

1. Disconnect DMX controller from the fixture and enter the "Cal P/T" menu.
2. Use the [PREV] and [NEXT] to find "Pan" and press [ENTER].
3. Set desired value and save it by pressing [ENTER].
4. Repeat steps 2 and 3 for Tilt.
5. After calibrating both effects, find item "Store" and press [ENTER]. to save all adjusted values and reset the fixture.

Calibration of the white 5600K via the control board

1. Disconnect DMX controller from the fixture , set the shutter, dimmer and RGBW channels at 255 DMX, zoom at 128 DMX and the CTC channel at DMX=64 (white 5600K). Aim the light beam on the lux meter (e.g. Minolta CL-200A Chroma meter) which is placed cca 5m from the fixture.
2. Set the menu items Colour Mix Mode to RGBW and "White Point 8000K to On (Pers-> C Mix M -> RGBW, Pers-> White P -> On).
3. Enter the menu "Cal Col".
4. Use the [NEXT] or [PREV] button to select desired colour and press the [ENTER] button.
5. Use the [NEXT] or [PREV] button to set desired value of the colour.
5. By means of the "Red C, Gre C, Blu C and Whi C" items adjust the 5600K colour temperature as exactly as possible ($\Delta u'v' = 0$).
7. After adjusting 5600K colour temperature, select item Store and press the [ENTER] button to save all adjusted values .

Note: you can also use DMX controller for both calibrations stated above, calibration protocol is the following:

| Effect | Mode 1 | Mode 2 |
|------------------------------|---------------|---------------|
| Pan-fine adjustment | channel 27 | channel 22 |
| Tilt - fine adjustment | channel 28 | channel 23 |
| Prism - position fine | channel 29 | channel 24 |
| Prism - rotation fine | channel 30 | channel 25 |
| Flower effect frost movement | channel 31 | channel 26 |
| Flower effect rotation | channel 32 | channel 27 |
| Zoom | channel 33 | channel 28 |
| Red - red saturation | channel 34 | channel 29 |
| Green- green saturation | channel 35 | channel 30 |
| Blue - blue saturation | channel 36 | channel 31 |
| White - white saturation | channel 37 | channel 32 |

Cal Load - Loads default (factory) calibration.

Sw Upd - **Software update.** The menu item allows you to update software in the fixture via either serial or USB port of PC.

The menu item allows you to update software in the fixture via either serial or USB port of PC.

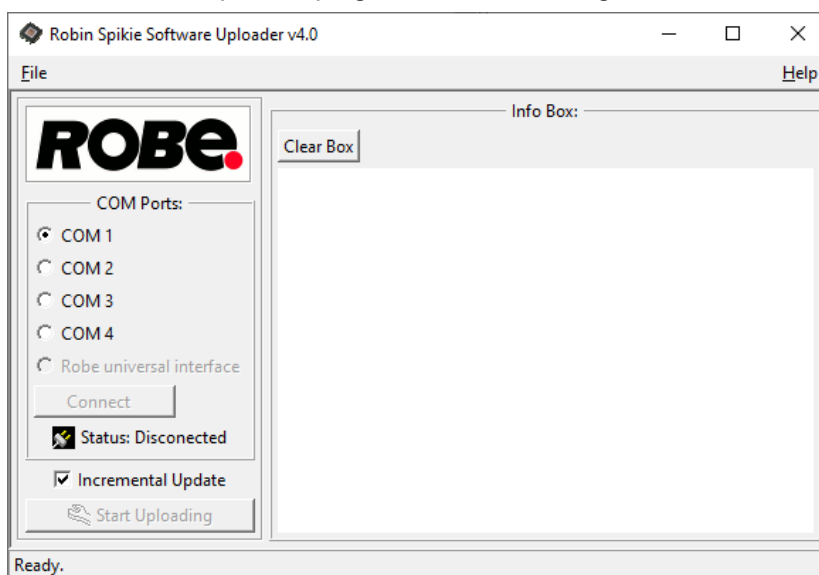
The following items are required in order to update software:

- PC running Windows or Linux or macOS
- DSU file
- Flash cable RS232/DMX, P/N13050624 (if you want to use a serial port of PC)
- Robe Universal Interface or Robe Universal interface WTX (if you want to use an USB port of PC)

After the software updating the fixture will be set to default values.

To update software in the fixture:

1. DSU file is available from Robe web site at WWW.robe.cz.
File with extension zip is intended for Windows (used and tested from XP to W10 on 32/64bit systems).
File with extension tbz is intended for Linux (used and tested on Debian and Ubuntu 32/64bit).
File with extension dmg is intended for macOS (used and tested on OSX up to Sierra) XQuartz required, install it from <https://www.xquartz.org/>
Save the download file to a folder on your computer.
In case that you use windows, extract files in the zip file (e.g. DSU_RobinSpikie_21081742.zip)
2. Disconnect the fixture from DMX controller.
3. If you use the flash cable RS232/DMX, connect a serial port of your computer with DMX input of the fixture by means of the cable.
If you use the Robe Universal Interface, connect a USB port of your computer with the Robe Universal Interface by means of the USB cable and DMX input of the fixture with the DMX output of the Robe Universal Interface via a DMX cable.
4. Switch the fixture to the update mode (Special --> SW Upd -> On).
Note: If you do not want to continue in the software update, you have to switch off and on the fixture to escape from the updating mode.
We recommend to cancel all running programs on your computer before starting the software update.
5. Double-click the software uploader file (e.g. DSU_RobinSpikie_21081742.exe) in the extracted files. The Software Uploader program will start running.



6. Select correct "COM " number if you use a Flash cable RS232/DMX or select "Robe Universal Interface " if you use the Robe Universal Interface/Robe Universal Interface WTX and then click on the "Connect" button.
7. If the connection is OK, click the "Start Uploading" button to start software uploading. It will take several minutes to perform software update.
If the option "Incremental Update" is not checked, all processors will be updated (including processors with the same software version).
If you wish to update only processors with new version of software, check the "Incremental Update box".
Avoid interrupting the process. Update status is being displayed in the "Info Box" window.
When the update is finished, the line with the text "Fixture is successfully updated" will appear in this window.
In case upload process is interrupted (e.g. power loss), the fixture stays in "Updating mode" and you will have to repeat the software update again.

7. RDM

This fixture supports RDM operation. RDM (Remote Device Management) is a bi-directional communications protocol for use in DMX512 control systems, it is the new open standard for DMX512 device configuration and status monitoring.

The RDM protocol allows data packets to be inserted into a DMX512 data stream without adversely affecting existing non-RDM equipment. By using a special „Start Code,“ and by complying with the timing specifications for DMX512, the RDM protocol allows a console or dedicated RDM controller to send commands to and receive messages from specific moving lights.

RDM allows explicit commands to be sent to a device and responses to be received from it.

The list of commands for Robin Spikie is the following.

| Parameter ID | Discovery command | SET command | GET command |
|-----------------------------|-------------------|-------------|-------------|
| DISC_UNIQUE_BRANCH | * | | |
| DISC_MUTE | * | | |
| DISC_UN_MUTE | * | | |
| DEVICE_INFO | | | * |
| SUPPORTED_PARAMETERS | | | * |
| SOFTWARE_VERSION_LABEL | | | * |
| DMX_START_ADDRESS | | * | * |
| IDENTIFY_DEVICE | | * | * |
| DEVICE_MODEL_DESCRIPTION | | | * |
| MANUFACTURER_LABEL | | | * |
| DEVICE_LABEL | | * | * |
| SENSOR_DEFINITION | | | * |
| SENSOR_VALUE | | | * |
| DISPLAY_INVERT | | * | * |
| DISPLAY_LEVEL | | * | * |
| PAN_INVERT | | * | * |
| TILT_INVERT | | * | * |
| DEVICE_RESET | | * | |
| DMX_PERSONALITY | | * | * |
| DMX_PERSONALITY_DESCRIPTION | | | * |
| STATUS_MESSAGES | | | * |
| STATUS_ID_DESCRIPTION | | | * |
| DEVICE_HOURS | | | * |
| PARAMETER_DESCRIPTION | | | * |
| ROBE_DMX_INPUT | | * | * |
| ROBE_WIRELESS_UNLINK | | * | |

8. Error and information messages

Tilt Err

This message will appear after the reset of the fixture if the head's magnetic-indexing circuit malfunctions (sensor failed or magnet is missing) or the stepping motor is defective or its driving IC on the PCB. The head is not located in the default position after the reset.

Pan Err

This message will appear after the reset of the fixture if the head's magnetic-indexing circuit malfunctions (sensor failed or magnet is missing) or the stepping motor is defective or its driving IC on the PCB. The head is not located in the default position after the reset.

Zoom Err

The messages will appear after the reset of the zoom module if the zoom lens is not located in the default position.

Prism Err

The messages will appear after the reset of the if the prism is not in the default position.

Rod Err

The messages will appear after the reset of the flower effect if the rod is not in the default position.

Short Err

The message informs you that short circuit has occurred on the LED PCB.

Clean Air Fil

This icon signals that cleaning period of the air filter has elapsed and you have to clear air filter in the fixture base and reset the menu item "R Ti".

9. Technical Specifications

Electrical

Power supply: electronic auto-ranging
Input voltage range: 100-240V, 50-60Hz
Fuse: T 2A/250V ~
Max. power consumption: 100W@230V (I=0.48A, power factor=0.88)

Mains input: CE - max. 16A
ETL - max. 10A
Mains output: CE - max. 15A
ETL - max. 9A

Optic

Light source: 60W RGB LED multichip)
Min LED life expectancy: 20.000 hours (at full load of LEDs)
RGBW/CMY colour mixing +CTO

Virtual colour wheel

68 preset colours
CTC in range of 2700K-8000K
Halogen lamp effect at whites 2700K and 3200K
Rainbow effect with in both directions with variable speed

Zoom

Linear motorized zoom: 4°-27° (Flower Effect Off)
4°-23° (Flower Effect On)

Strobe

Strobe effect with variable speed (0.3 - 20Hz)

Dimmer

Smooth dimmer from 0 - 100 %

Prism

3-facet rotating prism with continuous rotation in both directions

Effect

Flower effect rotating in both directions
10 Flower effect macros

Pan/Tilt

Pan movement range 540° (switchable to 360°)
Tilt movement range 360°
Continual pan/tilt rotation
16 bit movement resolution
Automatic Pan/Tilt position correction
Remotely controllable speed of pan/tilt

Control

2-row LCD display & 4 buttons
Readout fixture usage, receiving DMX values, temperatures, etc
Built-in analyzer for easy fault finding, error messages
Built-in demo sequences
Silent fans cooling,
Stand-alone operation
3 user editable programs, each up to 40 steps
Supported protocols: USITT DMX 512, RDM,
2 DMX modes (27, 21 control channels)

External Wireless DMX/RDM module (option)

Compliance with USITT DMX-512 (1986 & 1990) and 512-A
Full DMX fidelity and frame integrity
Auto sensing of DMX frame rate and frame size
<5ms DMX latency
Operational frequency range of 2402-2480 MHz
Producer: LumenRadio

Connection

DMX data in/out: Locking 5-pin XLR
Power IN: Neutrik NAC3MPX
Power OUT: Neutrik NAC3FPX

Rigging

Mounting points: pair of 1/4-turn locks
Mounting horizontally or vertically via one Omega holder

Temperatures

Maximum ambient temperature : 45° C
Maximum housing temperature : 70° C

Distances

Min. distance from flammable surfaces: 0.4 m
Min. distance to lighted object: 0.8 m

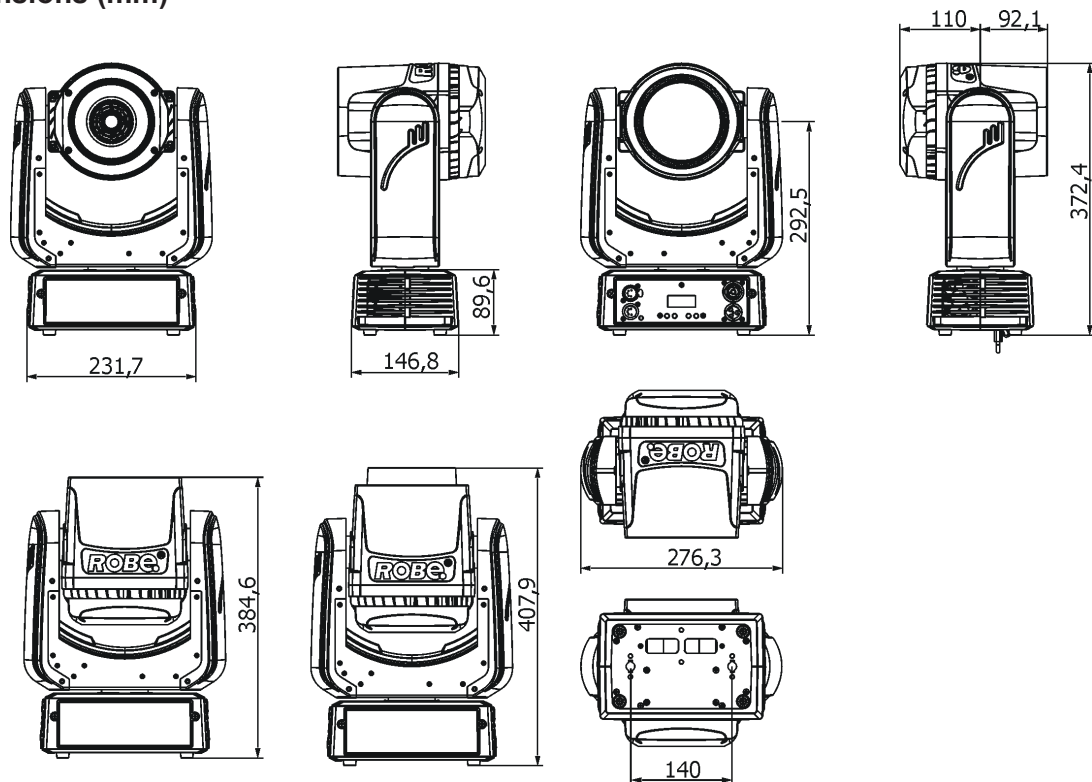
Total heat dissipation

340 BTU/h (calculated)

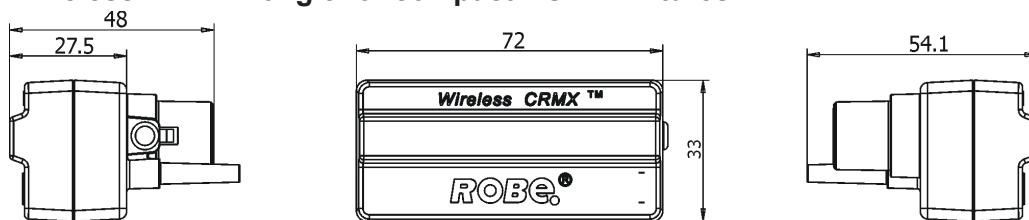
Weight (net)

7.5 kg

Dimensions (mm)



ROBE Wireless CRMX Dongle for compact ROBIN fixtures



Accessories

1 x Mounting bracket Omega CL assembled (P/N 99010420)

Optional accessories

- (P/N 10980127) ROBE Wireless CRMX Dongle for compact ROBIN fixtures
- (P/N 1305 2439) Daisy Chain PowerCon TRUE1 In/Out, EU, 2m, indoor
- (P/N 1305 2440) Daisy Chain PowerCon TRUE1 In/Out, US, 2m, indoor
- (P/N 13052444) Daisy Chain PowerCon TRUE1 In/Out, EU, 5m, indoor
- (P/N 1305 2405) Mains Cable PowerCon In TRUE1/Schuko, 2m, indoor
- (P/N 1305 2406) Mains Cable PowerCon In TRUE1/US, 2m, indoor
- (P/N 1305 2407) Mains Cable PowerCon In TRUE1/open ended, 2m, indoor
- (P/N 13052445) Mains Cable PowerCon In TRUE1/CEE 16A, 2m, indoor
- (P/N 10980033) Omega Adaptor CL-regular 2 pcs (1 pc is already supplied in box as standard)
- (P/N 17030386) Doughty Trigger Clamp
- (P/N 99011963) Safety wire 35 kg

10. Maintenance and cleaning

DANGER !
***Disconnect from the mains before starting any
maintenance work***

A soft lint-free cloth moistened with any good glass cleaning fluid is recommended, under no circumstances should alcohol or solvents be used!

Never use alcohol or solvents for cleaning the front lens and covers of the fixture

It is absolutely essential that the fixture is kept clean and that dust, dirt and smoke-fluid residues must not build up on or within the fixture. Otherwise, the fixture's light-output will be significantly reduced. Regular cleaning will not only ensure the maximum light-output, but will also allow the fixture to function reliably throughout its life. A soft lint-free cloth moistened with any good glass cleaning fluid is recommended, under no circumstances should alcohol or solvents be used!

Front lens may require weekly cleaning as smoke-fluid tends to building up residues, reducing the light output very quickly. The cooling fans should be cleaned according to the situation (at least annually). The interior of the head and base should be cleaned at least annually using a vacuum-cleaner.

Periodically clean the air filter placed in the fixture base. Use a vacuum cleaner, compressed air or you can wash it and put back dry.

The guide rods of zoom module should be lubricated monthly (or according to the current situation of movement of zoom module -). Use a suitable lubricant (e.g. oil Aronix /100ml/, P/N 90031114).

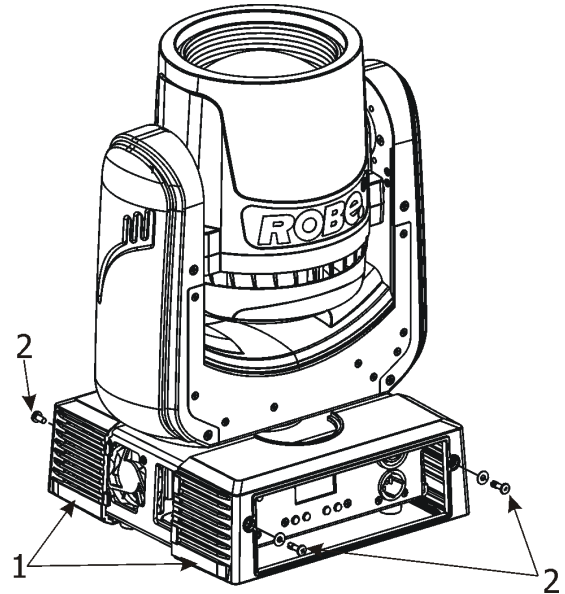
More complicated maintenance and service operations are only to be carried out by authorized distributors.

10.1 Replacing the fuse

Before replacing the fuse, unplug mains lead!

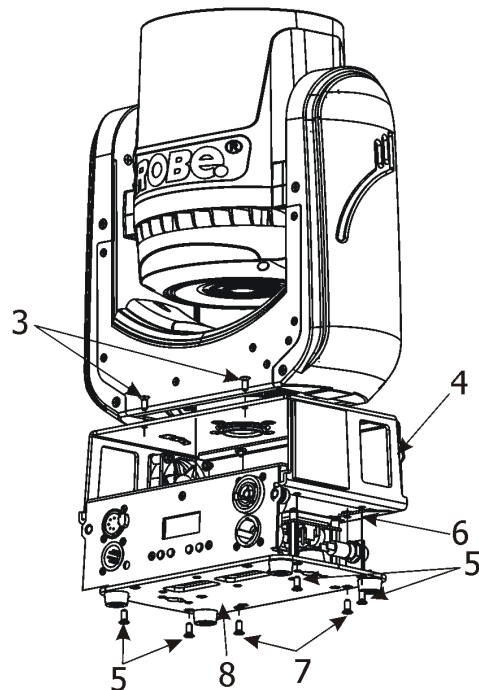
1. Replace the fuse by a fuse of the same type and rating only.

2. Remove the plastic covers of the base (1) by unscrewing two fastening screws (2) on each cover.



3. Unscrew four screws (3) on the top chassis (4). Lay down the fixture and unscrew four screws (5) on the bottom plate (8) to push out inside module of the base.

4. Unscrew two screws (7) on the bottom plate to remove rear panel of the fixture (6).

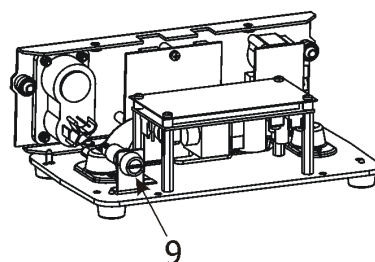


5. Now you have access to the fuse holder (9) in the inside module of the base.

6. Remove the old fuse from the fuse holder.

7. Install the new fuse into the fuse holder.

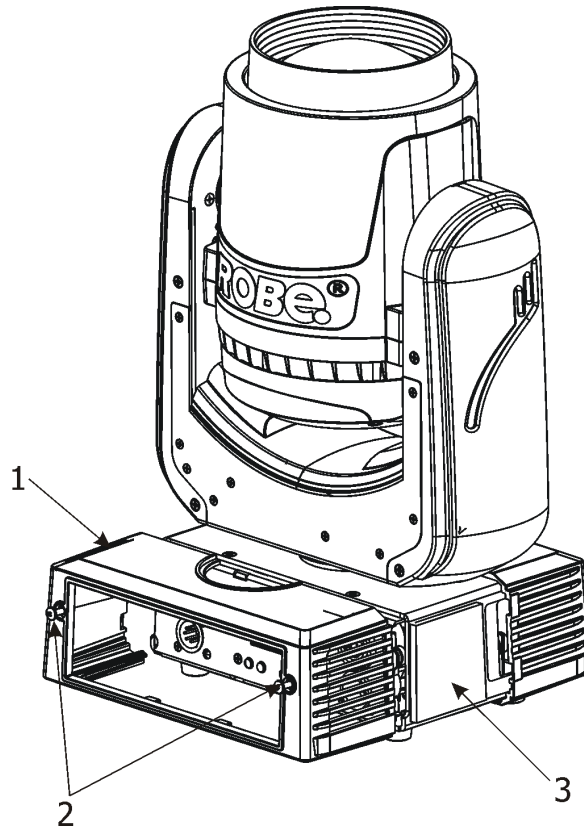
8. Assemble the base of the fixture.



10.2 Cleaning of the air filter

Before cleaning the air filter, unplug mains lead!

1. Remove the front plastic cover of the base (1) by unscrewing two fastening screws (2) on the cover.



2. Clean the air filter (3) placed in the base. Use a vacuum cleaner, compressed air or you can wash it and put back dry.

After replacing the air filter, reset the elapsed time counter in the menu Information.
(Info--->Air fil---> R Ti.).

3. Place the base cover back and fasten it by means of two screws (2).

10.3 Checking plastic parts of the fixture

The plastic parts of the fixture should be checked for damages and beginning cracks at least every two months. If hint of a crack is found on some plastic part, do not use the fixture until the damaged part will be replaced. Cracks or another damages of the plastic parts can be caused by the fixture transportation or manipulation and also ageing process may influence plastic materials.

This checking is necessary for both fixed installations and preparing fixtures for renting. Any free moving parts inside of the fixture or any cracked plastic not sitting properly in place need to be immediately replaced.

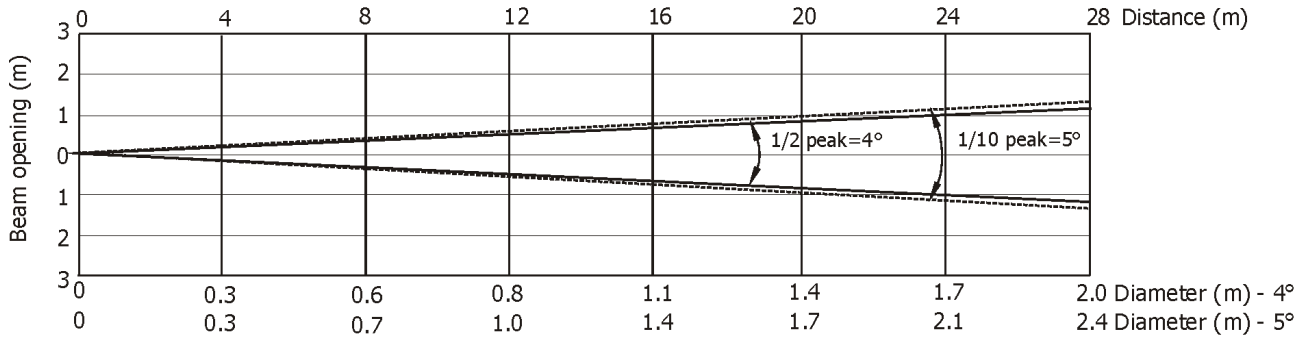
10.4 Disposing of the product

To preserve the environment please dispose or recycle this product at the end of its life according to the local regulations and codes.

11. Photometric diagrams

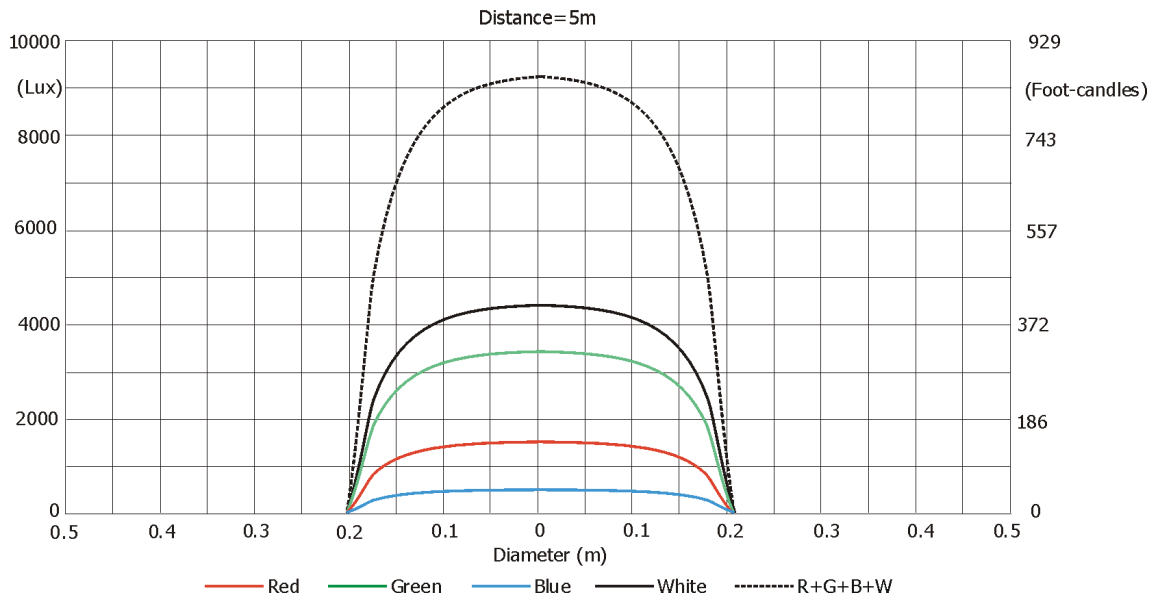
Min. Zoom Flower Effect Off

Total Output: 600 lumens



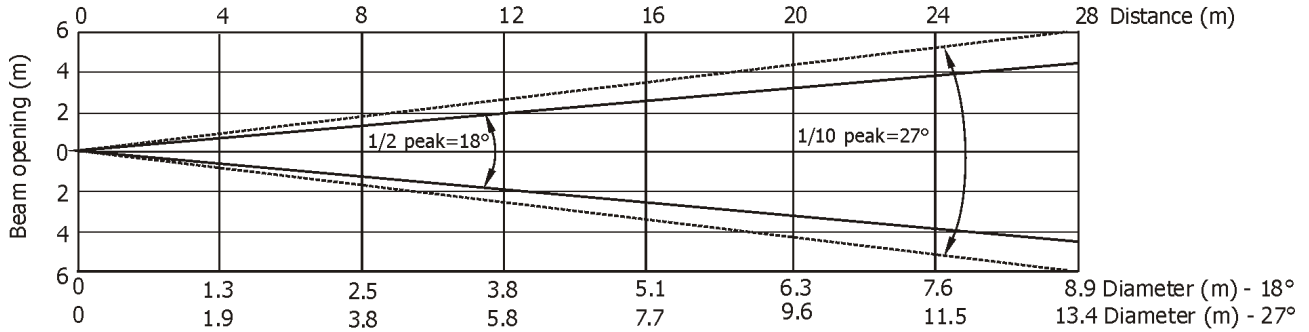
| Distance (m) | 4 | 5 | 8 | 12 | 16 | 20 | 24 | 28 | |
|--------------|------------|----------|----------|----------|--------|--------|--------|--------|---------------------------------------|
| Red | 2422/225 | 1550/144 | 605/56 | 270/25 | 151/14 | 97/9 | 67/6 | 50/5 | Intensity (center) Lux/footcandles |
| Green | 5156/479 | 3300/307 | 1290/120 | 573/53 | 322/30 | 206/19 | 143/13 | 105/10 | |
| Blue | 765/71 | 490/46 | 191/18 | 85/8 | 48/4 | 31/2.8 | 21/2 | 16/1.5 | |
| White | 6875/639 | 4400/409 | 1718/160 | 764/71 | 430/40 | 275/26 | 191/18 | 140/13 | |
| R+G+B+W | 14484/1346 | 9270/861 | 3621/336 | 1609/150 | 905/84 | 579/54 | 402/37 | 296/28 | |

Illuminance distribution



Max. Zoom Flower Effect Off

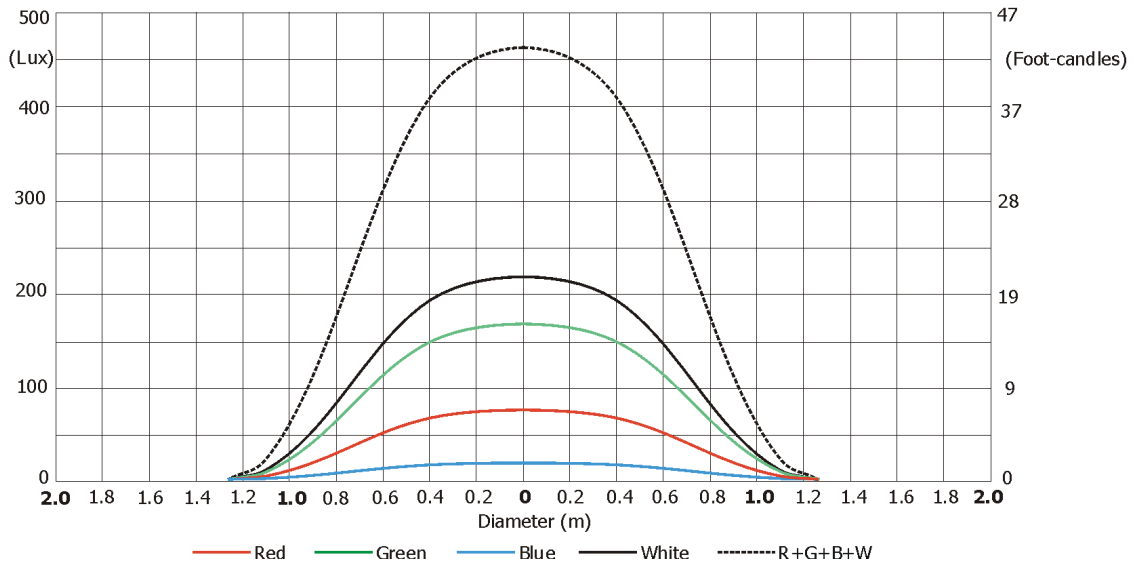
Total Output: 920 lumens



| Distance (m) | 4 | 5 | 8 | 12 | 16 | 20 | 24 | 28 | |
|--------------|--------|--------|--------|--------|--------|--------|--------|---------|---------------------------------------|
| Red | 125/12 | 80/7.4 | 31/3 | 14/1.3 | 8/0.7 | 5/0.5 | 4/0.3 | 2/0.2 | Intensity (center) Lux/footcandles |
| Green | 266/25 | 170/16 | 66/6.2 | 30/2.7 | 17/1.5 | 10/1 | 7/0.7 | 5/0.5 | |
| Blue | 40/3.8 | 26/2.4 | 10/0.9 | 5/0.4 | 3/0.2 | 2/0.2 | 1/0.1 | 0.8/0.1 | |
| White | 344/32 | 220/20 | 87/8 | 38/4 | 22/2 | 14/1.3 | 9/0.9 | 7/0.7 | |
| R+G+B+W | 727/68 | 465/43 | 180/17 | 80/8 | 45/4.2 | 29/2.7 | 20/1.9 | 15/1.4 | |

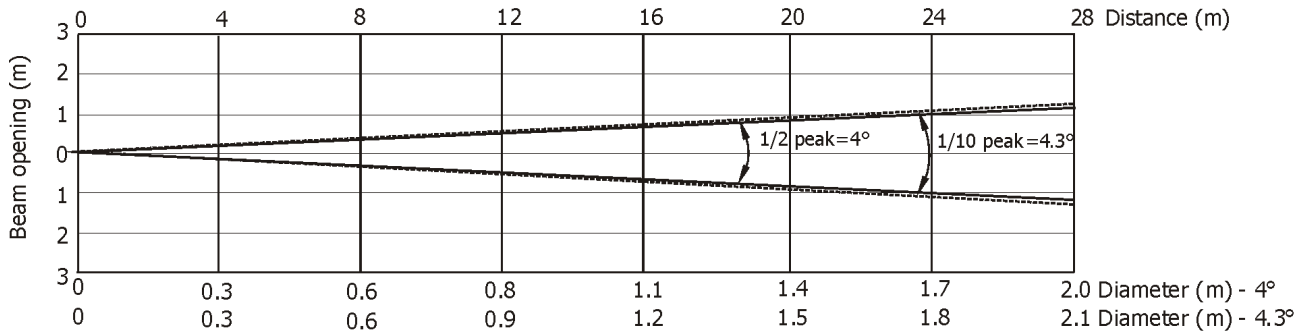
Illuminance distribution

Distance=5m



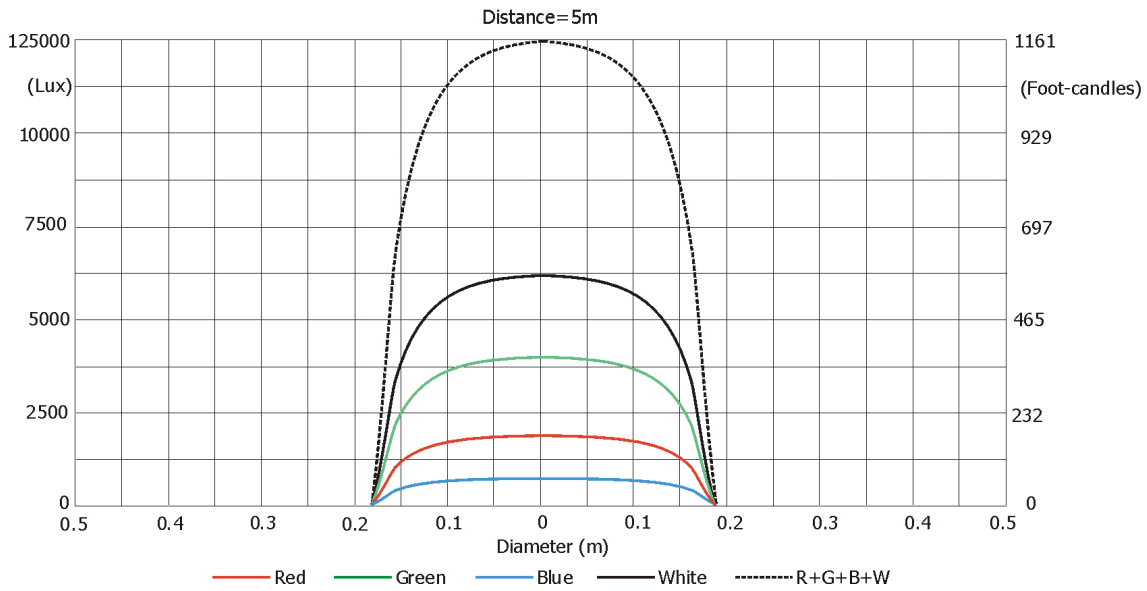
Min. Zoom Flower Effect On

Total Output: 870 lumens

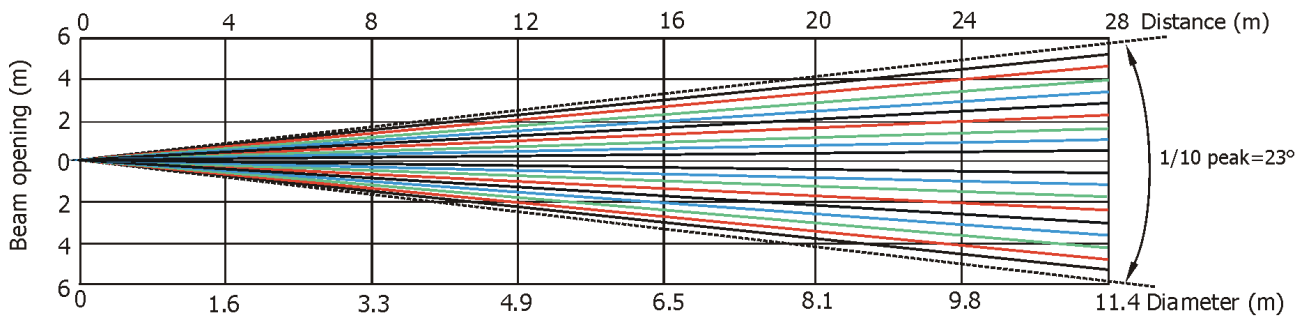


| Distance (m) | 4 | 5 | 8 | 12 | 16 | 20 | 24 | 28 | Intensity (center) Lux/Footcandles |
|--------------|------------|------------|----------|----------|----------|--------|--------|--------|---------------------------------------|
| Red | 3250/301 | 2080/193 | 813/76 | 361/34 | 203/19 | 130/12 | 90/8 | 66/6 | |
| Green | 6328/588 | 4050/376 | 1582/147 | 703/65 | 396/37 | 253/24 | 176/16 | 130/12 | |
| Blue | 1078/100 | 690/64 | 270/25 | 120/11 | 67/6 | 43/4 | 30/2.8 | 22/2 | |
| White | 9688/900 | 6200/576 | 2422/225 | 1076/100 | 605/56 | 388/36 | 269/25 | 198/18 | |
| R+G+B+W | 19530/1814 | 12500/1161 | 4882/454 | 2170/202 | 1220/113 | 781/73 | 540/50 | 398/37 | |

Illuminance distribution

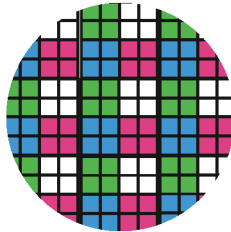


Max. Zoom Flower Effect On



| Distance (m) | 4 | 5 | 8 | 12 | 16 | 20 | 24 | 28 | |
|--------------|----------|----------|--------|--------|--------|--------|--------|--------|---------------------------------------|
| Red | 468/44 | 300/28 | 117/11 | 52/5 | 29/3 | 19/1.7 | 13/1.2 | 10/0.9 | Intensity (center) Lux/Footcandles |
| Green | 1860/173 | 1190/111 | 465/43 | 207/19 | 116/11 | 74/7 | 52/5 | 38/3.5 | |
| Blue | 133/12 | 85/8 | 33/3 | 15/1.4 | 8/0.8 | 5/0.5 | 4/0.3 | 3/0.3 | |
| White | 2250/209 | 1440/134 | 563/52 | 250/23 | 140/13 | 90/8 | 63/6 | 46/4 | |

Image on the screen (just for illustration)



12. ChangeLog

This section summarizes changes in the user manual.

| Version of the manual | Date of issue | Description of changes |
|-----------------------|---------------|---|
| 1.1 | 20/07/2016 | Added chapter "Remotely controllable functions" |
| 1.2 | 10/09/2016 | DMX protocol ver. 1.2 |
| 1.3 | 04/04/2017 | DMX protocol ver. 1.3 (colours renamed) |
| 1.4 | 17/01/2018 | Optional accessories changed |
| 1.5 | 30/04/2018 | DMX protocol ver. 1.4 |
| 1.6 | 31/07/2019 | Check of plastic parts added (chapter Maintenance and cleaning) |
| 1.7 | 26/02/2020 | Detail description of Pan control/Tilt control functions added |
| 1.8 | 05/11/2020 | DMX protocol ver. 1.5 (PWM output frequency of LEDS added) |
| 1.9 | 08/11/2022 | Intensity calibration added |

DMX protocol

| Robin Spikie+/Robin Spikie - DMX protocol | | | | |
|--|---|-----------|---|-----------------|
| Version: 1.5 Mode 1-Standard 16-bit, Mode 2 -Reduced 8-bit | | | | |
| Mode/channel | | DMX Value | Function | Type of control |
| 1 | 2 | | | |
| 1 | 1 | | Pan (8 bit) | |
| | | 0 - 255 | Pan movement by 540°/360° (128=default) | proportional |
| 2 | 2 | | Pan Fine (16 bit) | |
| | | 0 - 255 | Fine control of pan movement (0=default) | proportional |
| 3 | 3 | | Tilt (8 bit) | |
| | | 0 - 255 | Tilt movement by 360° (128=default) | proportional |
| 4 | 4 | | Tilt fine (16 bit) | |
| | | 0 - 255 | Fine control of tilt movement (0=default) | proportional |
| 5 | 5 | | Pan control* | |
| | | 0 | Pan range 540°, shortcut Off (0=default) | step |
| | | 1 | Pan range 360°, shortcut On | step |
| | | 2-127 | No function (Pan range 540°, shortcut Off) | |
| | | 128-189 | Continuous rotation fast -> slow , Forwards | proportional |
| | | 190-193 | Stop rotation | step |
| | | 194-255 | Continuous rotation slow -> fast , Backwards | proportional |
| 6 | 6 | | Tilt control* | |
| | | 0 | Tilt range 360°, Shortcut Off (0=default) | step |
| | | 1 | Tilt range 360°, Shortcut On | step |
| | | 2-127 | No function (Tilt range 360°, Shortcut Off) | |
| | | 128-189 | Continuous rotation fast -> slow , Forwards | proportional |
| | | 190-193 | Stop rotation | step |
| | | 194-255 | Continuous rotation slow -> fast , Backwards | proportional |
| 7 | 7 | | Pan/Tilt speed , Pan/Tilt time | |
| | | 0 | Max. speed-Standard Mode (0=default) | step |
| | | | <i>P./T. speed-set Speed Mode in menu: Pan/Tilt Mode</i> | |
| | | 1 - 255 | Speed from max. to min. | proportional |
| | | | <i>P./T. time - set Time Mode in menu: Pan/Tilt Mode</i> | |
| | | 1 - 255 | Time from 0.1 s to 25.5 sec. | proportional |
| 8 | 8 | | Power/Special functions | |
| | | 0 -19 | Reserved (0=default) <i>To activate following functions, stop in DMX value for at least 3 s and shutter must be closed at least 3 sec. („Shutter,Strobe“ channel 25/20 must be at range: 0-31 DMX). Corresponding menu items are temporarily overridden.</i> | |
| | | 20-24 | Display ON | step |
| | | 25-29 | Display OFF | step |
| | | 30-34 | RGBW colour mixing mode | step |
| | | 35-39 | CMY colour mixing mode | step |
| | | 40-44 | Pan/Tilt speed mode | step |
| | | 45 - 49 | Pan/Tilt time mode | step |
| | | 50 -54 | Blackout while pan/tilt moving | step |
| | | 55 -59 | Disabled blackout while pan/tilt moving | step |
| | | 60 - 64 | Dimmer curve - square law | step |
| | | 65 - 69 | Dimmer curve - linear | step |
| | | 70 - 74 | Fans mode: Auto | step |
| | | 75 - 79 | Fans mode: High | step |
| | | 80-84 | White point 8000K ON | step |

DMX protocol

| Mode/channel | | DMX Value | Function | Type of control |
|--------------|----------|-----------|--|-----------------|
| 1 | 2 | | | |
| | | 85-89 | White point 8000K OFF | step |
| | | 90 -129 | Reserved | |
| | | | <i>To activate following functions, stop in DMX value for at least 3 seconds.</i> | |
| | | 130 - 139 | Fixture reset (except pan/tilt) | |
| | | 140 - 149 | Pan/Tilt reset | step |
| | | 150 - 159 | Zoom reset | step |
| | | 160 - 169 | Flower effect/prism reset | step |
| | | | <i>Tungsten effect simulation for whites 2700K and 3200K</i> | |
| | | 170-171 | Tungsten effect simulation (750W) On | step |
| | | 172-173 | Tungsten effect simulation (1000W) On | step |
| | | 174-175 | Tungsten effect simulation (1200W) On | step |
| | | 176-177 | Tungsten effect simulation (2000W) On | step |
| | | 178-179 | Tungsten effect simulation (2500W) On | step |
| | | 180-181 | Tungsten effect simulation Off | step |
| | | 182-184 | Reserved | |
| | | 185 | PWM output frequency of LEDS: Standard (300Hz)*** | step |
| | | 186 | PWM output frequency of LEDS: High (600Hz)*** | step |
| | | | *** You can adjust selected frequency in 6 steps Up or Down around selected frequency - see table below . Default value of PWM frequency set in the fixture is Standard. | |
| | | 187 | LED Frequency (step -6) | step |
| | | 188 | LED Frequency (step -5) | step |
| | | 189 | LED Frequency (step -4) | step |
| | | 190 | LED Frequency (step -3) | step |
| | | 191 | LED Frequency (step -2) | step |
| | | 192 | LED Frequency (step -1) | step |
| | | 193 | LED Frequency (Standard or High) | step |
| | | 194 | LED Frequency (step +1) | step |
| | | 195 | LED Frequency (step +2) | step |
| | | 196 | LED Frequency (step +3) | step |
| | | 197 | LED Frequency (step +4) | step |
| | | 198 | LED Frequency (step +5) | step |
| | | 199 | LED Frequency (step +6) | step |
| | | 200 - 209 | Total fixture reset | step |
| | | 210 - 255 | Reserved | |
| 9 | 9 | | Virtual colour wheel | |
| | | 0 | No function (0=default) | step |
| | | 1-2 | Filter 4 (Medium Bastard Amber) | step |
| | | 3-4 | Filter 25 (Sunset Red) | step |
| | | 5-6 | Filter 19 (Fire) | step |
| | | 7-8 | Filter 26 (Bright Red) | step |
| | | 9-10 | Filter 58 (Lavender) | step |
| | | 11-12 | Filter 68 (Sky Blue) | step |
| | | 13-14 | Filter 36 (Medium Pink) | step |
| | | 15-16 | Filter 89 (Moss Green) | step |
| | | 17-18 | Filter 88 (Lime Green) | step |
| | | 19-20 | Filter 90 (Dark Yellow Green) | step |
| | | 21-22 | Filter 49 (Medium Purple) | step |
| | | 23-24 | Filter 52 (Light Lavender) | step |

DMX protocol

| Mode/channel | | DMX Value | Function | Type of control |
|--------------|---|-----------|--|-----------------|
| 1 | 2 | | | |
| | | 25-26 | Filter 102 (Light Amber) | step |
| | | 27-28 | Filter 103 (Straw) | step |
| | | 29-30 | Filter 140 (Summer Blue) | step |
| | | 31-32 | Filter 124 (Dark Green) | step |
| | | 33-34 | Filter 106 (Primary Red) | step |
| | | 35-36 | Filter 111 (Dark Pink) | step |
| | | 37-38 | Filter 115 (Peacock Blue) | step |
| | | 39-40 | Filter 126 (Mauve) | step |
| | | 41-42 | Filter 117 (Steel Blue) | step |
| | | 43-44 | Filter 118 (Light Blue) | step |
| | | 45-46 | Filter 122 (Fern Green) | step |
| | | 47-48 | Filter 182 (Light Red) | step |
| | | 49-50 | Filter 121 (Filter Green) | step |
| | | 51-52 | Filter 128 (Bright Pink) | step |
| | | 53-54 | Filter 131 (Marine Blue) | step |
| | | 55-56 | Filter 132 (Medium Blue) | step |
| | | 57-58 | Filter 134 (Golden Amber) | step |
| | | 59-60 | Filter 135 (Deep Golden Amber) | step |
| | | 61-62 | Filter 136 (Pale Lavender) | step |
| | | 63-64 | Filter 137 (Special Lavender) | step |
| | | 65-66 | Filter 138 (Pale Green) | step |
| | | 67-68 | Filter 798 (Chrysalis Pink) | step |
| | | 69-70 | Filter 141 (Bright Blue) | step |
| | | 71-72 | Filter 147 (Apricot) | step |
| | | 73-74 | Filter 148 (Bright Rose) | step |
| | | 75-76 | Filter 152 (Pale Gold) | step |
| | | 77-78 | Filter 154 (Pale Rose) | step |
| | | 79-80 | Filter 157 (Pink) | step |
| | | 81-82 | Filter 143 (Pale Navy Blue) | step |
| | | 83-84 | Filter 162 (Bastard Amber) | step |
| | | 85-86 | Filter 164 (Flame Red) | step |
| | | 87-88 | Filter 165 (Daylight Blue) | step |
| | | 89-90 | Filter 169 (Lilac Tint) | step |
| | | 91-92 | Filter 170 (Deep Lavender) | step |
| | | 93-94 | Filter 172 (Lagoon Blue) | step |
| | | 95-96 | Filter 194 (Surprise Pink) | step |
| | | 97-98 | Filter 180 (Dark Lavender) | step |
| | | 99-100 | Filter 181 (Congo Blue) | step |
| | | 101-102 | Filter 197 (Alice Blue) | step |
| | | 103-104 | Filter 201 (Full C.T. Blue) | step |
| | | 105-106 | Filter 202 (Half C.T. Blue) | step |
| | | 107-108 | Filter 203 (Quarter C.T. Blue) | step |
| | | 109-110 | Filter 204 (Full C.T. Orange) | step |
| | | 111-112 | Filter 219 (Fluorescent Green) | step |
| | | 113-114 | Filter 206 (Quarter C.T. Orange) | step |
| | | 115-116 | Filter 247 (Filter Minus Green) | step |
| | | 117-118 | Filter 248 (Half Minus Green) | step |
| | | 119-120 | Filter 281 (Three Quarter C.T. Blue) | step |
| | | 121-122 | Filter 285 (Three Quarter C.T. Orange) | step |

DMX protocol

| Mode/channel | | DMX Value | Function | Type of control |
|--------------|-----------|-----------|--|-----------------|
| 1 | 2 | | | |
| | | 123-124 | Filter 352 (Glacier Blue) | step |
| | | 125-126 | Filter 353 (Lighter Blue) | step |
| | | 127-128 | Filter 507 (Madge) | step |
| | | 129-130 | Filter 778 (Millennium Gold) | step |
| | | 131-132 | Filter 793 (Vanity Fair) | step |
| | | 133-235 | Reserved | |
| | | 236-245 | Rainbow effect (with fade time) from slow-> fast | proportional |
| | | 246-255 | Rainbow effect (without fade time) from slow-> fast | proportional |
| 10 | 10 | | Red/Cyan (8 bit)** | |
| | | 0 - 255 | Colour saturation control - coarse 0-100% (255=default) | proportional |
| 11 | * | | Red/Cyan (16bit)** | |
| | | 0 - 255 | Colour saturation control - fine (255=default) | proportional |
| 12 | 11 | | Green/Magenta (8 bit) ** | |
| | | 0 - 255 | Colour saturation control - coarse 0-100% (255=default) | proportional |
| 13 | * | | Green/Magenta (16bit) ** | |
| | | 0 - 255 | Colour saturation control - fine (255=default) | proportional |
| 14 | 12 | | Blue/Yellow (8 bit) ** | |
| | | 0 - 255 | Colour saturation control - coarse 0-100% (255=default) | proportional |
| 15 | * | | Blue/ Yellow (16bit) ** | |
| | | 0 - 255 | Colour saturation control - fine (255=default) | proportional |
| 16 | 13 | | White (8 bit) | |
| | | | <i>If RGBW mode is selected:</i> | |
| | | 0-255 | Colour saturation control - coarse 0-100% (255=default) | proportional |
| | | | <i>If CMY mode is selected:</i> | |
| | | 0 - 255 | No function | |
| 17 | * | | White (16 bit) | |
| | | 0 - 255 | Colour saturation control - fine (255=default) | proportional |
| 18 | 14 | | CTC | |
| | | | <i>If function "White Point 8000K" is ON</i> | |
| | | 0-255 | Col. temperature correction from 8000K to 2700K -for whites only (0=8000K, 64=5600K, 128=4200K, 192=3200K, 255=2700K) To get colour temperatures stated above, RGBW channels have to be set at the same value e.g. 255DMX (0=default) (To activate Tungsten effect at 2700K and 3200K , set DMX value at "Power/Special functions" channel) | proportional |
| | | | <i>If function "White Point 8000K" is OFF</i> | |
| | | 0-255 | Colour temperature correction for from cool white to 2700K | proportional |
| 19 | 15 | | Colour Mix control | |
| | | | <i>Defines relation between colour channels</i> | |
| | | | "Virtual" = Virtual Colours (Virtual Colour Wheel) | |
| | | | "Colour mix" = Colour channels (RGBW/CMY) | |
| | | 0-9 | Virtual colors ("Virtual" has priority) | step |
| | | 10-19 | Maximum mode (highest values have priority) | step |
| | | 20-29 | Minimum mode (lowest values have priority) | step |
| | | 30-39 | Multiply mode (multiply Virtual and Colour Mix) | step |
| | | 40-49 | Addition mode (Virtual + Colour mix) (45=default) | step |
| | | 50-59 | Subtraction mode (Virtual – Colour mix) | step |
| | | 60-69 | Inverted Subtraction mode (Colour mix-Virtual) | step |
| | | 70-128 | Reserved | |
| | | 129 | Virtual colors (virtual has priority) | step |

DMX protocol

| Mode/channel | | DMX Value | Function | Type of control |
|--------------|-----------|-----------|--|-----------------|
| 1 | 2 | | | |
| | | 130-254 | Crossfade (crossfade between Virtual and Colour mix) | proportional |
| | | 255 | Colour channels ("Colour mix" has priority) | step |
| 20 | 16 | | Rotating Prism | |
| | | 0 | Open position-without prism (0=default) | step |
| | | 1 - 127 | Prism inserted, forwards rotation from fast to slow | proportional |
| | | 128 | No rotation-prism inserted | step |
| | | 129-255 | Prism inserted, backwards rotation from slow to fast | proportional |
| 21 | 17 | | Flower Effect | |
| | | 0 | Open position-without Flower Effect (0=default) | step |
| | | 1 - 127 | Flower effect on, forwards rotation from fast to slow | proportional |
| | | 128 | Flower effect on, no rotation | step |
| | | 129-255 | Flower effect on, backwards rotation from slow to fast | proportional |
| 22 | 18 | | Flower Effect & Rotating prism macros | |
| | | 0 | Open position - without macros (0=default) <i>In range of 1-20 DMX, channels Rotating prism and Flower Effect are blocked</i> | step |
| | | 1-2 | Macro 1 | step |
| | | 3-4 | Macro 2 | step |
| | | 5-6 | Macro 3 | step |
| | | 7-8 | Macro 4 | step |
| | | 9-10 | Macro 5 | step |
| | | 11-12 | Macro 6 | step |
| | | 13-14 | Macro 7 | step |
| | | 15-16 | Macro 8 | step |
| | | 17-18 | Macro 9 | step |
| | | 19-20 | Macro 10 | step |
| | | 21-255 | Reserved | |
| 23 | 19 | | Zoom | |
| | | 0-255 | Zoom from max. to min.beam angle (128=default) | proportional |
| 24 | * | | Zoom - fine | |
| | | 0-255 | Fine zooming (0=default) | proportional |
| 25 | 20 | | Shutter/ strobe | |
| | | 0 - 31 | Shutter closed | step |
| | | 32 - 63 | Shutter open (32=default) | step |
| | | 64 - 95 | Strobe-effect from slow to fast | proportional |
| | | 96 - 127 | Shutter open | step |
| | | 128 - 143 | Opening pulse in sequences from slow to fast | proportional |
| | | 144 - 159 | Closing pulse in sequences from fast to slow | proportional |
| | | 160 - 191 | Shutter open | step |
| | | 192 - 223 | Random strobe-effect from slow to fast | proportional |
| | | 224 - 255 | Shutter open | step |
| 26 | 21 | | Dimmer intensity (8 bit) | |
| | | 0 - 255 | Dimmer intensity from 0% to 100% (0=default) | proportional |
| 27 | * | | Dimmer intensity - fine (16 bit) | |
| | | 0 - 255 | Fine dimming (0=default) | proportional |

* Max. Speed of continual Tilt rotation depends on max. speed of continual Pan rotation and vice versa

E.g. Max. Tilt speed is reduced with increasing Pan speed, and vice versa, Max. Pan speed is reduced with increasing Tilt speed

**Select RGB or CMY mixing mode on channel "Power/Special functions".

Copyright © 2016-2022 Robe Lighting s.r.o. - All rights reserved

All Specifications subject to change without notice

| Robin Spikie+/Robin Spikie - colours on Virtual Colour Wheel | | | | |
|---|------------------|--------------------|-------------------|--------------------|
| Colour name | Red (DMX) | Green (DMX) | Blue (DMX) | White (DMX) |
| Filter 4 (Medium Bastard Amber) | 255 | 104 | 0 | 39 |
| Filter 25 (Sunset Red) | 255 | 50 | 0 | 3 |
| Filter 19 (Fire) | 255 | 33 | 0 | 0 |
| Filter 26 (Bright Red) | 255 | 0 | 0 | 0 |
| Filter 58 (Lavender) | 117 | 0 | 39 | 110 |
| Filter 68 (Sky Blue) | 42 | 255 | 83 | 6 |
| Filter 36 (Medium Pink) | 255 | 74 | 8 | 24 |
| Filter 89 (Moss Green) | 97 | 255 | 0 | 3 |
| Filter 88 (Lime Green) | 255 | 226 | 0 | 0 |
| Filter 90 (Dark Yellow Green) | 16 | 255 | 1 | 0 |
| Filter 49 (Medium Purple) | 255 | 0 | 27 | 0 |
| Filter 52 (Light Lavender) | 254 | 86 | 9 | 110 |
| Filter 102 (Light Amber) | 255 | 140 | 0 | 0 |
| Filter 103 (Straw) | 255 | 137 | 0 | 29 |
| Filter 140 (Summer Blue) | 0 | 199 | 0 | 218 |
| Filter 124 (Dark Green) | 28 | 255 | 0 | 14 |
| Filter 106 (Primary Red) | 255 | 12 | 0 | 0 |
| Filter 111 (Dark Pink) | 255 | 67 | 11 | 18 |
| Filter 115 (Peacock Blue) | 13 | 255 | 24 | 41 |
| Filter 126 (Mauve) | 255 | 0 | 32 | 0 |
| Filter 117 (Steel Blue) | 217 | 255 | 0 | 161 |
| Filter 118 (Light Blue) | 0 | 255 | 42 | 34 |
| Filter 122 (Fern Green) | 115 | 255 | 0 | 7 |
| Filter 182 (Light Red) | 255 | 16 | 2 | 0 |
| Filter 121 (Filter Green) | 204 | 255 | 0 | 0 |
| Filter 128 (Bright Pink) | 255 | 0 | 13 | 32 |
| Filter 131 (Marine Blue) | 83 | 245 | 23 | 30 |
| Filter 132 (Medium Blue) | 0 | 255 | 89 | 0 |
| Filter 134 (Golden Amber) | 255 | 89 | 0 | 3 |
| Filter 135 (Deep Golden Amber) | 255 | 43 | 0 | 0 |
| Filter 136 (Pale Lavender) | 171 | 96 | 13 | 36 |
| Filter 137 (Special Lavender) | 145 | 58 | 21 | 158 |
| Filter 138 (Pale Green) | 255 | 208 | 0 | 25 |
| Filter 798 (Chrysalis Pink) | 57 | 0 | 32 | 23 |
| Filter 141 (Bright Blue) | 0 | 255 | 55 | 0 |
| Filter 147 (Apricot) | 255 | 99 | 0 | 12 |
| Filter 148 (Bright Rose) | 255 | 3 | 0 | 27 |
| Filter 152 (Pale Gold) | 244 | 109 | 0 | 30 |
| Filter 154 (Pale Rose) | 236 | 104 | 0 | 35 |
| Filter 157 (Pink) | 255 | 56 | 5 | 21 |
| Filter 143 (Pale Navy Blue) | 0 | 255 | 52 | 156 |
| Filter 162 (Bastard Amber) | 223 | 111 | 0 | 35 |
| Filter 164 (Flame Red) | 255 | 30 | 0 | 0 |
| Filter 165 (Daylight Blue) | 35 | 255 | 59 | 81 |
| Filter 169 (Lilac Tint) | 255 | 123 | 0 | 72 |
| Filter 170 (Deep Lavender) | 255 | 123 | 25 | 9 |
| Filter 172 (Lagoon Blue) | 0 | 255 | 40 | 0 |

| Colour name | Red (DMX) | Green (DMX) | Blue (DMX) | White (DMX) |
|--|----------------------|------------------------|-----------------------|------------------------|
| Filter 194 (Surprise Pink) | 135 | 0 | 0 | 208 |
| Filter 180 (Dark Lavender) | 180 | 72 | 94 | 55 |
| Filter 181 (Congo Blue) | 57 | 0 | 255 | 0 |
| Filter 197 (Alice Blue) | 134 | 228 | 75 | 0 |
| Filter 201 (Full C.T. Blue) | 230 | 228 | 35 | 51 |
| Filter 202 (Half C.T. Blue) | 255 | 199 | 20 | 38 |
| Filter 203 (Quarter C.T. Blue) | 255 | 163 | 0 | 80 |
| Filter 204 (Full C.T. Orange) | 223 | 104 | 0 | 9 |
| Filter 219 (Fluorescent Green) | 139 | 255 | 0 | 132 |
| Filter 206 (Quarter C.T. Orange) | 255 | 140 | 0 | 33 |
| Filter 247 (Filter Minus Green) | 255 | 81 | 0 | 74 |
| Filter 248 (Half Minus Green) | 255 | 119 | 0 | 59 |
| Filter 281 (Three Quarter C.T. Blue) | 255 | 216 | 20 | 143 |
| Filter 285 (Three Quarter C.T. Orange) | 255 | 122 | 0 | 15 |
| Filter 352 (Glacier Blue) | 0 | 216 | 44 | 92 |
| Filter 353 (Lighter Blue) | 0 | 120 | 12 | 82 |
| Filter 507 (Madge) | 255 | 31 | 0 | 0 |
| Filter 778 (Millennium Gold) | 255 | 58 | 0 | 0 |
| Filter 793 (Vanity Fair) | 255 | 0 | 12 | 15 |
| | | | | |