



QuikSpot is a battery-driven, zoomable Fresnel-based spotlight optimized for maximum efficiency and designed in a compact, lightweight form factor, with a dedicated ChargingPlate and PrepBox, Removeable Yoke and SafetyLink-ready Barndoors.



Max 20h



Wireless DMX



IP65



App

SPECIFICATIONS

Order Code	AST-QUKSP
LED Engine	Titan LED Engine
Colors	RGBMintAmber
Output Gain	Yes
Total LED Power	60 W
LED Power Draw	35 W
CRI (Ra)/ TLCI 3200- 6500 K*	≥96
Battery Runtime	up to 20 hours
Battery Runtime (max. Brightness)	4.5 hours
Battery Lifetime	70 % after 500 cycles
Charging Time (nominal)	5 hours
AC Input	100 - 240 VAC, 50 / 60 Hertz 115 VAC - 0.6 A / 230 VAC - 0.3 A
AC Connector	PowerCON TRUE1 IN / OUT
Power Consumption (max.)	50 W
Wired DMX	Yes
CRMX Receiver	Built-in
BluetoothBridge BTB	Built-in
Wireless Protocols	CRMX, UHF, Bluetooth, WiFi
Wireless Range	CRMX/UHF up to 300 m / 330 yds Bluetooth up to 3 m / 3.3 yds
RDM Support	Wireless and wired
Infrared Control	Yes
PrepLink	Yes
IP Rating wired / unwired	IP65
Ambient Operating Temperature	0 - 40 °C / 32 - 104 °F
Weight	3450 g / 7.6 lbs
Dimensions (L x W x D)	164 mm x 164 mm x 182 mm / 6.45" x 6.45" x 7.16"
Mounting Options	AirlineTrack, 3/8" - 16 UNC thread, Yoke (with 3/8" - 16 UNC thread, 1/2" hole)

All specifications provided are typical values and may be subject to change without prior notice.

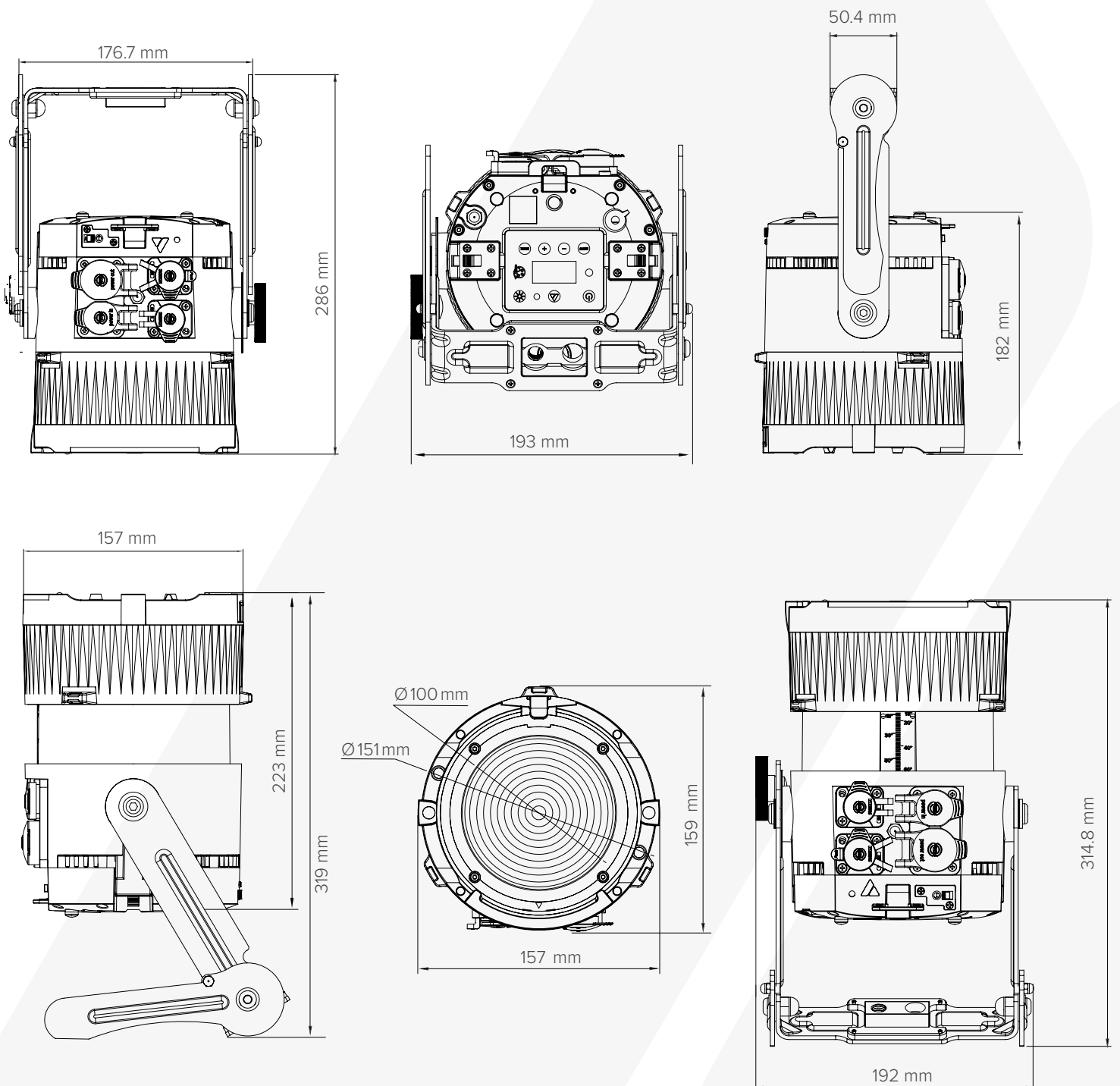
RF CHARACTERISTICS

Wireless Modules	EU: UHF*** (863-870MHz)	USA: UHF (917-922.20MHz)	AUS: UHF (922.30-927.50MHz)	SGP: UHF (920.50-924.50MHz)	KOR: UHF (917.9-921.5MHz)
Modulation	FHSS	FHSS	FHSS	FHSS	FHSS
ERP (Transmitter)	<25mW	<25mW	<25mW	<25mW	<25mW
Channel Count	47	53	53	41	10

Wireless Modules	RUS: UHF (868.75-869.12MHz)	JPN: UHF (922.80-926.40MHz)	CRMX (2402-2480MHz)	Bluetooth 5.0 LE (2402-2480MHz)	WiFi (2412-2472MHz)
Modulation	FHSS	FHSS	FHSS	FHSS	DSSS, OFDM
ERP (Transmitter)	<25mW	<25mW	-	10mW (BLE)	<100mW
Channel Count	6	19	79	40	13

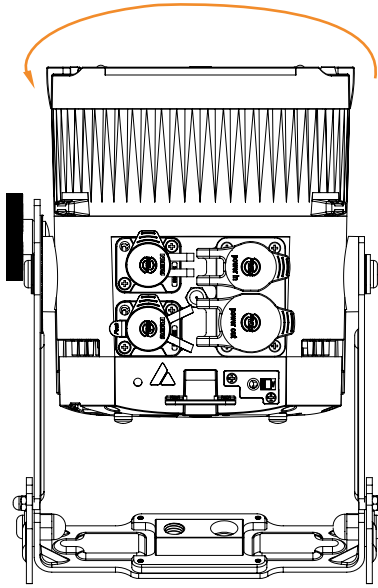
***General allocation of frequencies for use by short-range radio applications

DIMENSIONS

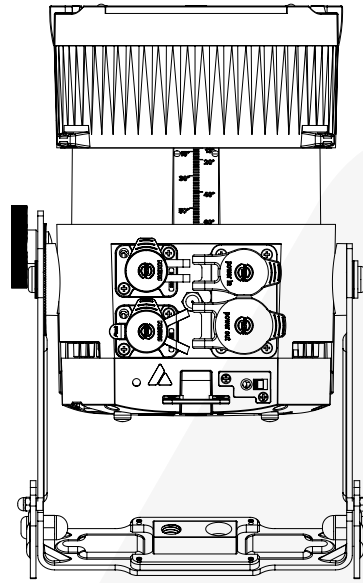


QUICK TURN

Rotate barrel counter-clockwise to zoom in. Zoom range: 13° to 60°

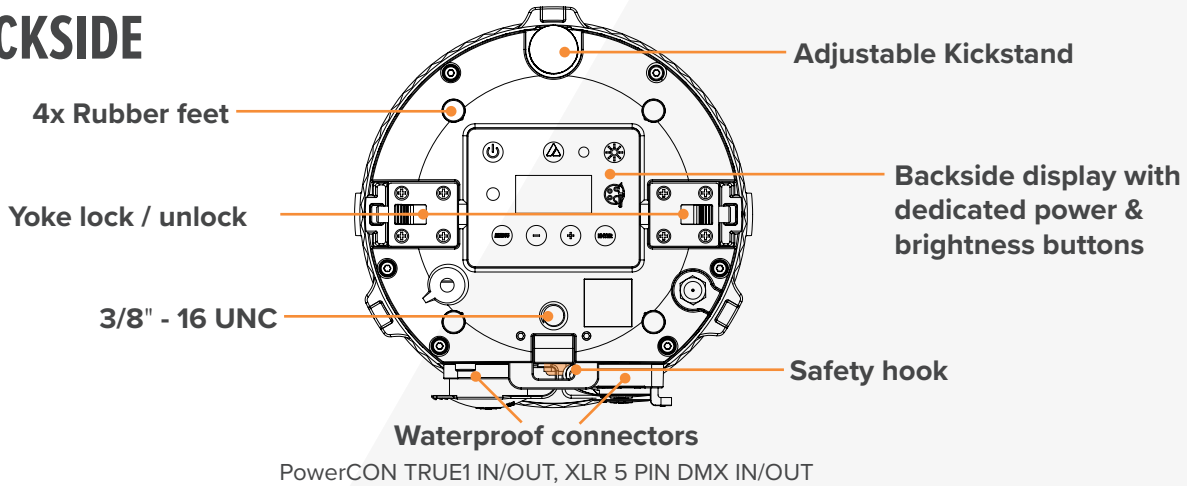


60° Zoom out



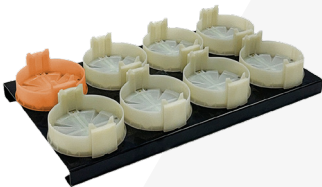
13° Zoom in

BACKSIDE



ACCESSORIES

ChargingPlate
AST-QUKSP-CHRPLT



PrepBox
AST-PRPBX



Barndoor
AST-QUKSP-BD



TrackPin Compact
AST-TPC



FlexCover White
AST-QUKSP-FLXCVR-WT-8



FlexCover Mirror
AST-QUKSP-FLXCVR-MIR-8



Rotatable Filter 17°x46°
AX5-ROTAD



Diffuser Dome
AX5-DDM-25 / AX5-DDM



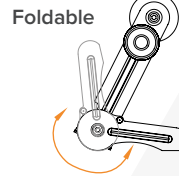
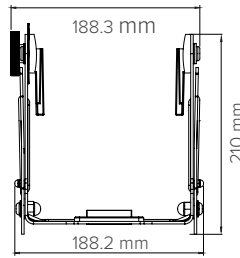
Snoot
AX5-SN



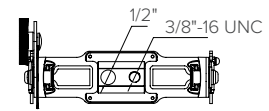
Yoke
AST-QUKSP-YK



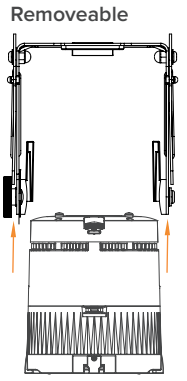
included



Foldable



Yoke with
TrackPin Compact



Removeable

ChargingCase TruckPack for QuikSpot

AST-QUKSP-CHRCSE-TP
not available in all countries



Can hold

- 1x ChargingPlate for 8 QuikSpots (AST-QUKSP-CHRPLT)
- 1x PrepBox (AST-PRPBX)
- 8x Barndoor (AST-QUKSP-BD)
- 8x TrackPin Compact (AST-TPC)
- 8x PowerCON TRUE1 Cable (AX5-CHR)
- 1x XLR Cable (AST-XLR-1)
- 8x Rotatable Wallwash Filter for QuikSpot (AX5-ROTAD)

ChargingCase Compact for QuikSpot

AST-QUKSP-CHRCSE-CM
not available in all countries



Can hold

- 1x ChargingPlate for 8 QuikSpots (AST-QUKSP-CHRPLT)
- 1x PrepBox (AST-PRPBX)
- 8x Barndoor (AST-QUKSP-BD)
- 8x TrackPin Compact (AST-TPC)
- 8x PowerCON TRUE1 Cable (AX5-CHR)
- 1x XLR Cable (AST-XLR-1)
- 8x Rotatable Wallwash Filter for QuikSpot (AX5-ROTAD)

TYPICAL SPECTRAS

